

INSTALLATION GUIDE - Capsule Slip Rings

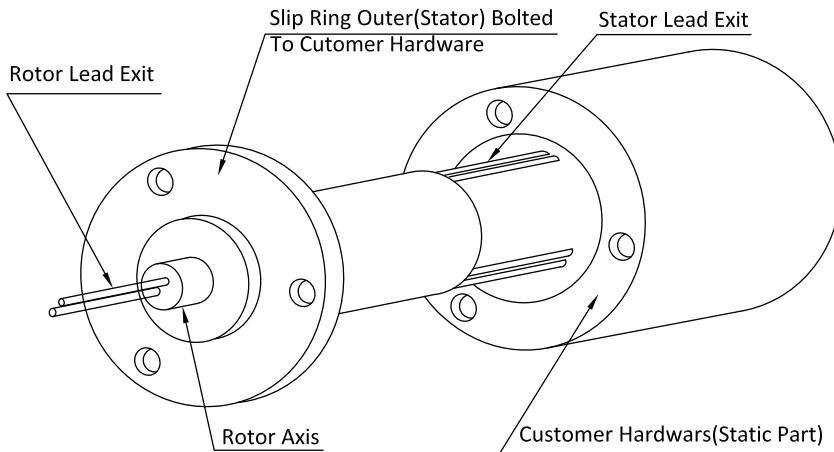


Figure 1

1. Flanged slip rings are designed to be mounted with screws and washers as shown in Figure 1. The washers protect the flange against excessive forces. If lock washers are used, flat washers should be mounted between the lock washer and the flange.

2. Slip ring without flanges should also be mounted by securing the stator. This is most commonly done by inserting the body of the slip ring into a hole that is slightly larger than the OD and then securing it as shown in Figure 2. The most common methods include set screws, adhesives.

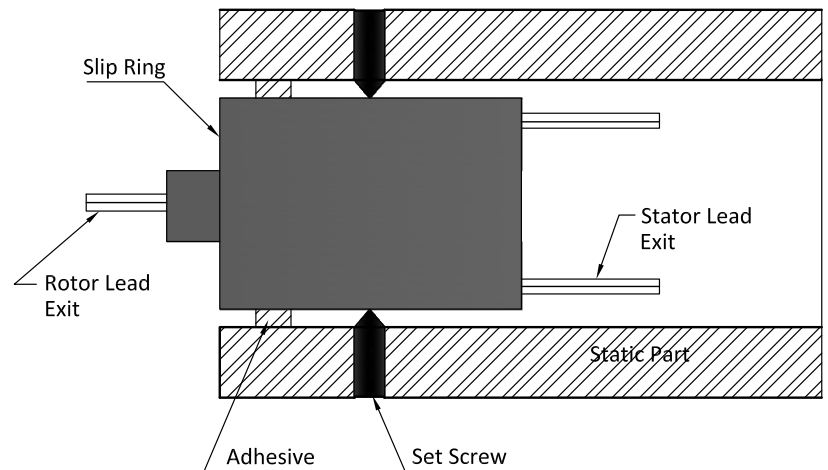


Figure 2

3. The slip ring's bearings are not designed to support external or radial loads. The rotating parts should be supported in such a way that axial and radial forces applied to the slip ring bearings are minimized.

4. If installed in an outdoor application, the slip ring should be designed to operate in a weather-proof enclosure.

5. Secure the leads so that they do not contact any surface of the equipment as it rotates. While routing the wires, do not allow the leads to apply any side loading to the slip ring.