

STR Series Through Bore Slip Ring

1

This series is specially designed through bore for hydraulic or pneumatic rotating shaft installation, the through hole is option from 4~300mm. Also known as through hole slip ring, hollow shaft slip ring, gold-on-gold multiple points contact and advanced fiber optic contact technology; high speed, high current, hybrid transmission are available.



Features:

- Continuous 360° rotation of power or data signals
- Shaft mounting is standard, flange is option.
- Gold plated ring and Gold alloy brush
- No require lubrication
- Power and signal (2, 5 and 10 amp) circuits may be combined
- Uses fiber brush technology which offers several advantages over conventional slip ring contacts including multiple points of contact per brush bundle

STR SERIES MODEL#

Model#	ID(mm)	OD(mm)	Current(A)	Voltage(V AC/DC)	Number Of Circuits
STR004	4	22	2	250	2~18
STR005	5	22	2	250	2~12
STR007	7	24.8	2	250	2~12
STR009	9	25	2	250	2~12
STR215	15	32.8	2	250	2~24
STR220	20	42	2	250	2~12
STR12	12.7	56	2 / 5 / 10	250	2~48
STR25	25.4	86	2 / 5 / 10	440	2~72
STR38	38.1	99	2 / 5 / 10	440	2~72
STR50	50	119	2 / 5 / 10	600	2~108
STR60	60	130	2 / 5 / 10	600	2~108
STR70	70	158	2 / 5 / 10	600	2~108
STR80	80	158	2 / 5 / 10	600	2~108
STR90	90	185	2 / 5 / 10	600	2~108
STR100	100	185	2 / 5 / 10	600	2~108
STR120	120	215	2 / 5 / 10	600	2~108
STR150	150	248	2 / 5 / 10	600	2~108
STR180	180	298	2 / 5 / 10	600	2~108

STR004 Series Overview

Description

A slip ring can be used in any electromechanical system that requires unrestrained, continuous rotation while transferring power and / or data from a stationary to a rotating structure. A slip ring is also called a rotary electrical interface, electrical collector, swivel, or a rotary joint. The STR004 series slip ring with 4 mm thru hole for installation, and compact 22 mm outside diameter for minimal space applications.

**Specifications**

Item	
Operating Speed	Max.250 RPM*
Number of Circuits	18 wires
Lead Wire	AWG28# 250mm
Voltage	240V AC/DC
Operating Temperature	-20°C to 60°C
Current Rating	Signal / 2A circuits
Noise	<0.01Ω
Torque	0.02N.m
Housing Material	Plastic
Protection Grade	IP51

*Please note that the operational life of the unit is dependent upon rotational speed, environment and temperature

Options

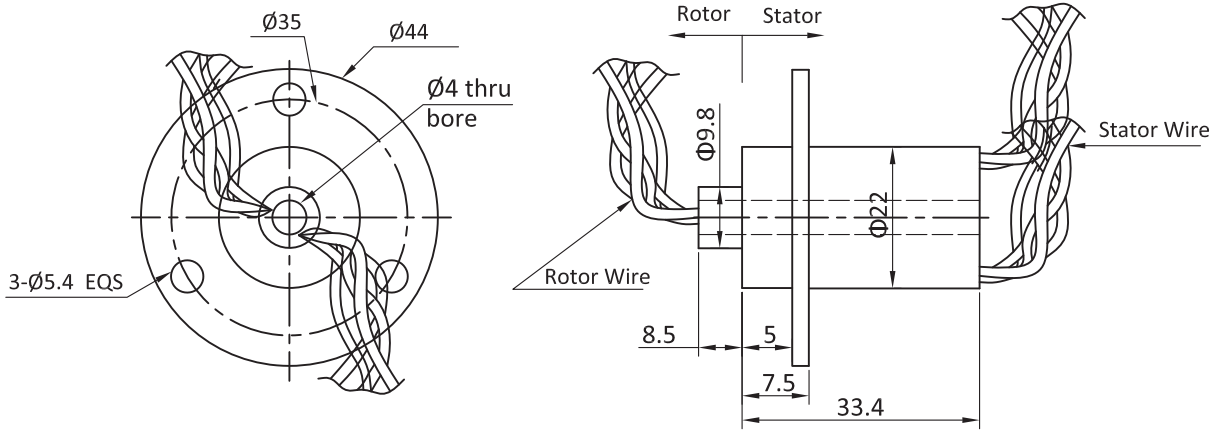
- Flange or non-flange
- Longer lead lengths are available
- Hybrid Pneumatic/hydraulic and electric slip ring can be mixed.
- Terminal and heat-shrink tube are optional

INTRODUCE

STR004

1

STR004 Series Dimensions



Notes:

- 1. Drawings not actual size, dimensions are in millimeters

Part# List

Model#	Power Circuits(5A/10A)	Signal (2A)	Voltage(V)	OD(mm)	Length(mm)
STR004-S18	-	18	240	22	33.4

Lead wire color code(From the rotor)

Ring#	Color	Description/AWG	Ring#	Color	Description/AWG
1	BLK	Signal / 2A, AWG28#	7	BLU	Signal / 2A, AWG28#
2	BRN		8	VIO	
3	RED		9	GRY	
4	ORN		10	WHT	
5	YEL		11	PINK	
6	GRN		12	SOFT-BLU	

Notes:

12 wires for 1 group color, from 12~24 circuits would repeat the same color.

STR005 Series Overview

Description

A slip ring can be used in any electromechanical system that requires unrestrained, continuous rotation while transferring power and / or data from a stationary to a rotating structure. A slip ring is also called a rotary electrical interface, electrical collector, swivel, or a rotary joint.

The STR005 series slip ring with 5mm hole for installation, and compact 22mm outside diameter for minimal space applications.

**Specifications**

Item	
Operating Speed	Max.250 RPM*
Number of Circuits	6,12 wires
Lead Wire	AWG28# 250mm
Voltage	240V AC/DC
Operating Temperature	-20°C to 60°C
Current Rating	Signal / 2A circuits
Noise	<0.01Ω
Torque	0.02N.m
Housing Material	Plastic
Protection Grade	IP51

*Please note that the operational life of the unit is dependent upon rotational speed, environment and temperature

Options

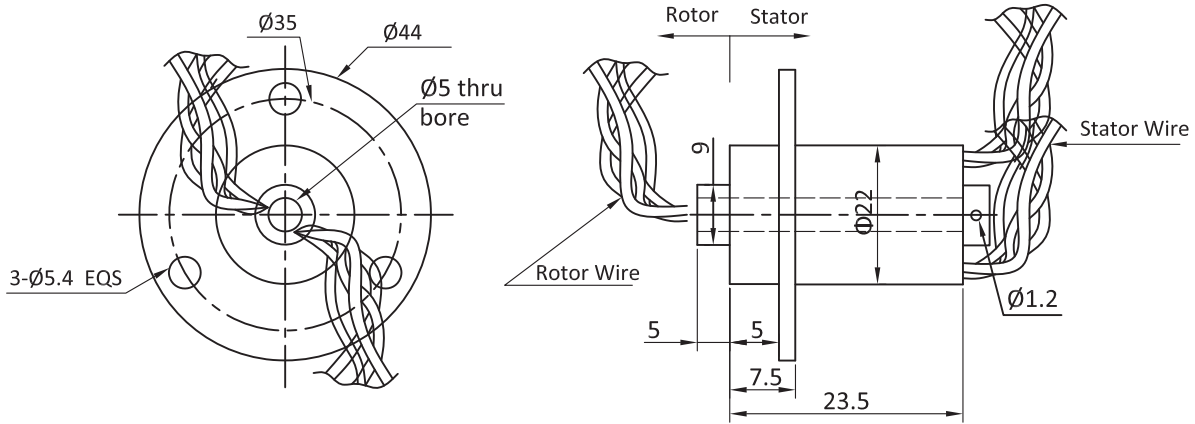
- Flange or non-flange
- Longer lead lengths are available
- Hybrid Pneumatic/hydraulic and electric slip ring can be mixed.
- Terminal and heat-shrink tube are optional

INTRODUCE

STR005

1

STR005 Series Dimensions



Notes:

1. Drawings not actual size, dimensions are in millimeters

Part# List

Model#	Power Circuits(5A/10A)	Signal (2A)	Voltage(V)	OD(mm)	Length(mm)
STR005-S06	-	6	240	22	19
STR005-S12	-	12	240	22	23.5

Lead wire color code(From the rotor)

Ring#	Color	Description/AWG	Ring#	Color	Description/AWG
1	BLK	Signal / 2A, AWG28#	7	BLU	Signal / 2A, AWG28#
2	BRN		8	VIO	
3	RED		9	GRY	
4	ORN		10	WHT	
5	YEL		11	PINK	
6	GRN		12	SOFT-BLU	

Notes:

12 wires for 1 group color, from 12~24 circuits would repeat the same color.

STR007 Series Overview

Description

A slip ring can be used in any electromechanical system that requires unrestrained, continuous rotation while transferring power and / or data from a stationary to a rotating structure. A slip ring is also called a rotary electrical interface, electrical collector, swivel, or a rotary joint. The STR007 series slip ring with 7 mm hole for installation, and compact 24.6 mm outside diameter for minimal space applications

**Specifications**

Item	
Operating Speed	Max.250 RPM*
Number of Circuits	6,12 wires
Lead Wire	AWG28# 250mm
Voltage	240V AC/DC
Operating Temperature	-20°C to 60°C
Current Rating	Signal / 2A circuits
Noise	<0.01Ω
Torque	0.02N.m
Housing Material	Plastic
Protection Grade	IP51

*Please note that the operational life of the unit is dependent upon rotational speed, environment and temperature

Options

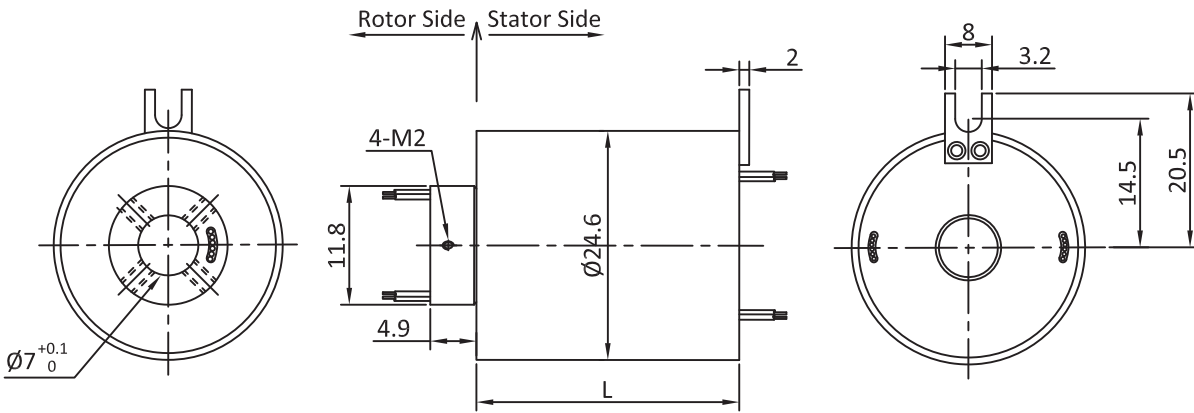
- Flange or non-flange
- Longer lead lengths are available
- Hybrid Pneumatic/hydraulic and electric slip ring can be mixed.
- Terminal and heat-shrink tube are optional

INTRODUCE

STR007

1

STR007 Series Dimensions



Notes:

1. Drawings not actual size, dimensions are in millimeters

Part# List

Model#	Power Circuits(5A/10A)	Signal (2A)	Voltage(V)	OD(mm)	Length(mm)
STR007-S06	-	6	240	24.6	26.7
STR007-S12	-	12	240	24.6	26.7

Lead wire color code(From the rotor)

Ring#	Color	Description/AWG	Ring#	Color	Description/AWG
1	BLK	Signal / 2A, AWG28#	7	BLU	Signal / 2A, AWG28#
2	BRN		8	VIO	
3	RED		9	GRY	
4	ORN		10	WHT	
5	YEL		11	PINK	
6	GRN		12	SOFT-BLU	

Notes:

12 wires for 1 group color, from 12~24 circuits would repeat the same color.

STR009 Series Overview

Description

A slip ring can be used in any electromechanical system that requires unrestrained, continuous rotation while transferring power and / or data from a stationary to a rotating structure. A slip ring is also called a rotary electrical interface, electrical collector, swivel, or a rotary joint. The STR009 series slip ring with 9 mm hole for installation, and compact 25mm outside diameter for minimal space applications



Specifications

Item	
Operating Speed	Max.250 RPM*
Number of Circuits	6,12 wires
Lead Wire	AWG28# 250mm
Voltage	240V AC/DC
Operating Temperature	-20°C to 60°C
Current Rating	Signal / 2A circuits
Noise	<0.01Ω
Torque	0.02N.m
Housing Material	Plastic
Protection Grade	IP51

*Please note that the operational life of the unit is dependent upon rotational speed, environment and temperature

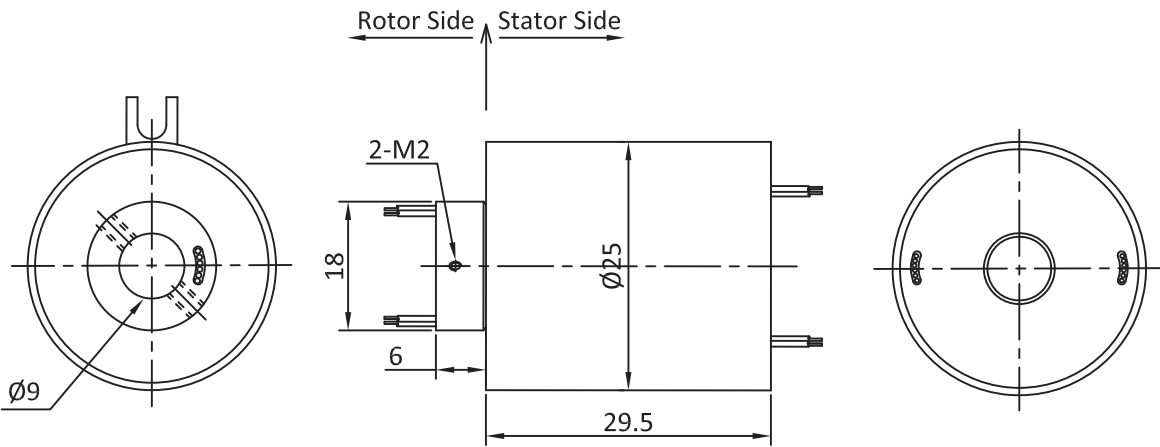
Options

- Flange or non-flange
- Longer lead lengths are available
- Hybrid Pneumatic/hydraulic and electric slip ring can be mixed.
- Terminal and heat-shrink tube are optional

INTRODUCE
STR009

1

STR009 Series Dimensions



Notes:

1. Drawings not actual size, dimensions are in millimeters

Part# List

Model#	Power Circuits(5A/10A)	Signal (2A)	Voltage(V)	OD(mm)	Length(mm)
STR009-S12	-	12	240	25	29.5

Lead wire color code(From the rotor)

Ring#	Color	Description/AWG	Ring#	Color	Description/AWG
1	BLK	Signal / 2A, AWG28#	7	BLU	Signal / 2A, AWG28#
2	BRN		8	VIO	
3	RED		9	GRY	
4	ORN		10	WHT	
5	YEL		11	PINK	
6	GRN		12	SOFT-BLU	

Notes:

12 wires for 1 group color, from 12~24 circuits would repeat the same color.

STR215 Series Overview

Description

A slip ring can be used in any electromechanical system that requires unrestrained, continuous rotation while transferring power and / or data from a stationary to a rotating structure. A slip ring is also called a rotary electrical interface, electrical collector, swivel, or a rotary joint.

The STR215 series slip ring with 15mm hole for installation, and compact 32.6mm outside diameter for minimal space applications



Specifications

Item	
Operating Speed	Max.250 RPM*
Number of Circuits	12,24 wires
Lead Wire	AWG28# 250mm
Voltage	240V AC/DC
Operating Temperature	-20°C to 60°C
Current Rating	Signal / 2A circuits
Noise	<0.01Ω
Torque	0.02N.m
Housing Material	AL Alloy
Protection Grade	IP51

*Please note that the operational life of the unit is dependent upon rotational speed, environment and temperature

Options

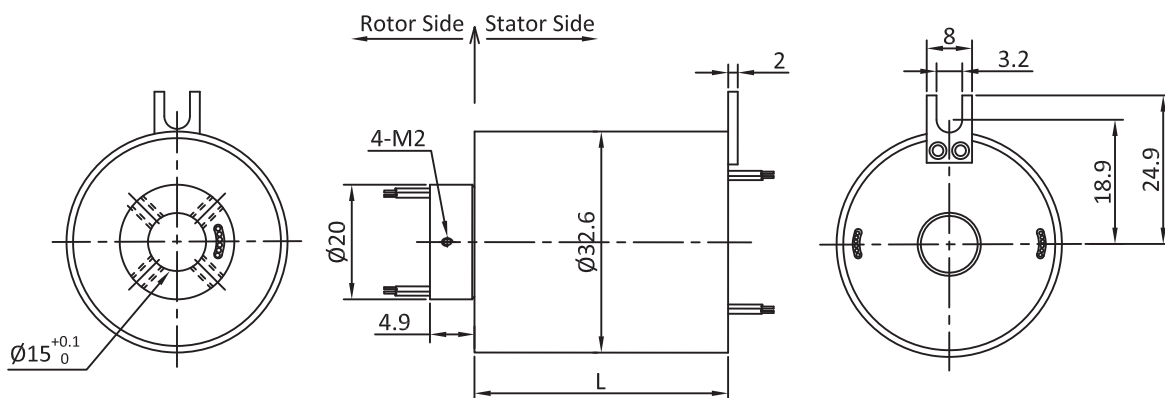
- Flange or non-flange
- Longer lead lengths are available
- Hybrid Pneumatic/hydraulic and electric slip ring can be mixed.
- Terminal and heat-shrink tube are optional

INTRODUCE

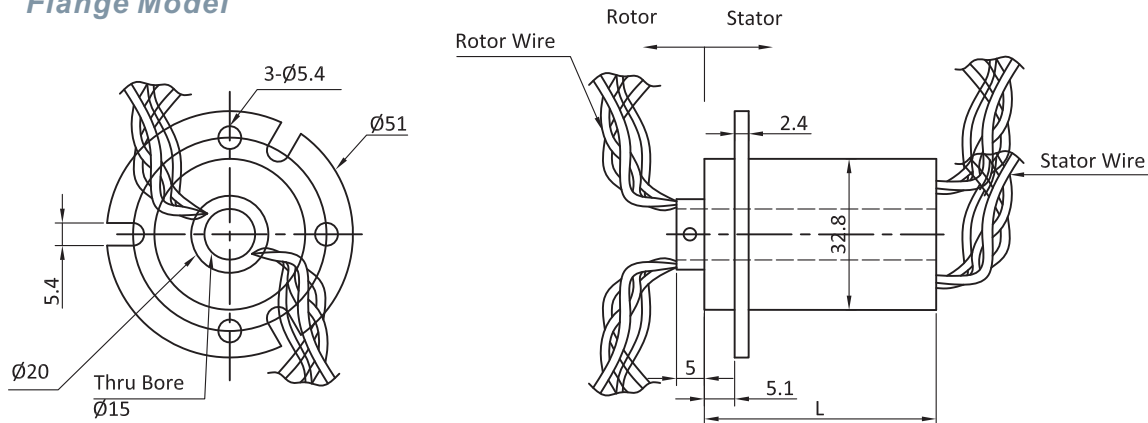
STR215

1

STR215 Series Dimensions



Flange Model



Notes:

1. Drawings not actual size, dimensions are in millimeters

Part# List

Model#	Power Circuits(5A/10A)	Signal (2A)	Voltage(V)	OD(mm)	Length(mm)
STR215-S12	-	12	240	32.6	26.7
STR215-S24	-	24	240	32.6	41.7

Lead wire color code(From the rotor)

Ring#	Color	Description/AWG	Ring#	Color	Description/AWG
1	BLK	Signal / 2A, AWG28#	7	BLU	Signal / 2A, AWG28#
2	BRN		8	VIO	
3	RED		9	GRY	
4	ORN		10	WHT	
5	YEL		11	PINK	
6	GRN		12	SOFT-BLU	

Notes:

12 wires for 1 group color, from 12~24 circuits would repeat the same color.

STR220 Series Overview

Description

A slip ring can be used in any electromechanical system that requires unrestrained, continuous rotation while transferring power and / or data from a stationary to a rotating structure. A slip ring is also called a rotary electrical interface, electrical collector, swivel, or a rotary joint.

The STR220 series slip ring with 20mm hole for installation, and compact 42mm outside diameter for minimal space applications.



Specifications

Item	
Operating Speed	Max.250 RPM*
Number of Circuits	12 wires
Lead Wire	AWG28# 250mm
Voltage	240V AC/DC
Operating Temperature	-20°C to 60°C
Current Rating	Signal / 2A circuits
Noise	<0.01Ω
Torque	0.02N.m
Housing Material	AL Alloy
Protection Grade	IP51

*Please note that the operational life of the unit is dependent upon rotational speed, environment and temperature

Options

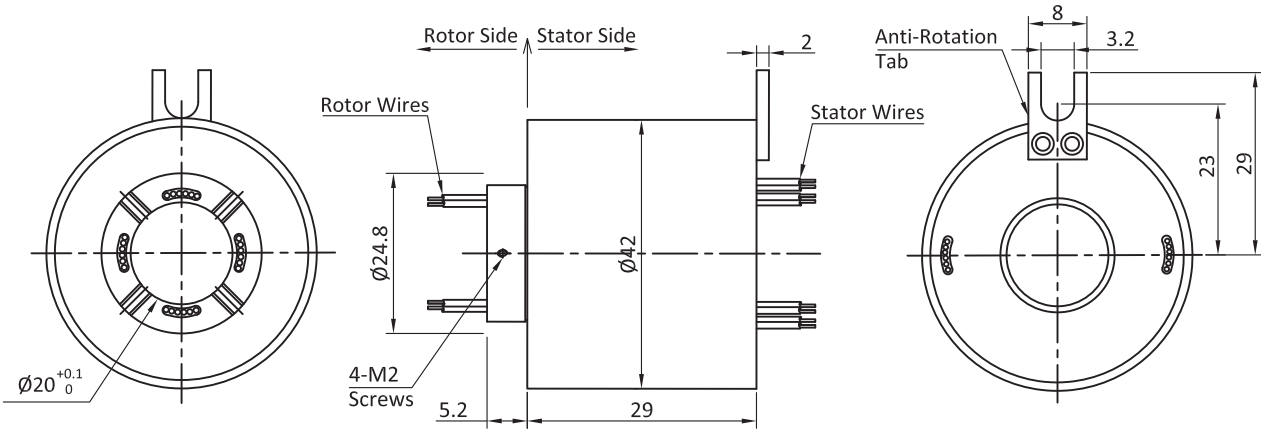
- Flange or non-flange
- Longer lead lengths are available
- Hybrid Pneumatic/hydraulic and electric slip ring can be mixed.
- Terminal and heat-shrink tube are optional

INTRODUCE

STR220

1

STR220 Series Dimensions



Notes:

1. Drawings not actual size, dimensions are in millimeters

Part# List					
Model#	Power Circuits(5A/10A)	Signal (2A)	Voltage(V)	OD(mm)	Length(mm)
STR220-S12	-	12	240	42	29

Lead wire color code(From the rotor)					
Ring#	Color	Description/AWG	Ring#	Color	Description/AWG
1	BLK	Signal / 2A, AWG28#	7	BLU	Signal / 2A, AWG28#
2	BRN		8	VIO	
3	RED		9	GRY	
4	ORN		10	WHT	
5	YEL		11	PINK	
6	GRN		12	SOFT-BLU	

Notes:

12 wires for 1 group color, from 12~24 circuits would repeat the same color.

STR12 Series Overview

Description

The 1/2 inch through-bore provides routing space for hydraulics, pneumatics or for a concentric shaft mount.

The STR12 with 12.7mm through hole, 56mm OD, uses our unique fiber brush technology which offers several advantages over conventional slip ring contacts, including multiple points of contact per brush bundle, low noise, electrical and low contact wear rates. It can transmit signal(2A), 10A, multiple 10A current when 360° degree free rotating.



Specifications

Item	
Operating Speed	Max.600 RPM*
Number of Circuits	2~48 wires
Lead Wire	AWG22#, AWG16# Teflon, 300mm
Voltage	440V AC/DC
Operating Temperature	-40°C to 80°C
Current Rating	Signal / 5A, 10A circuits
Noise	<0.01Ω
Torque	0.1N.m; +0.03N.m/6rings
Housing Material	Al alloy
Protection Grade	IP51

*Please note that the operational life of the unit is dependent upon rotational speed, environment and temperature

Options

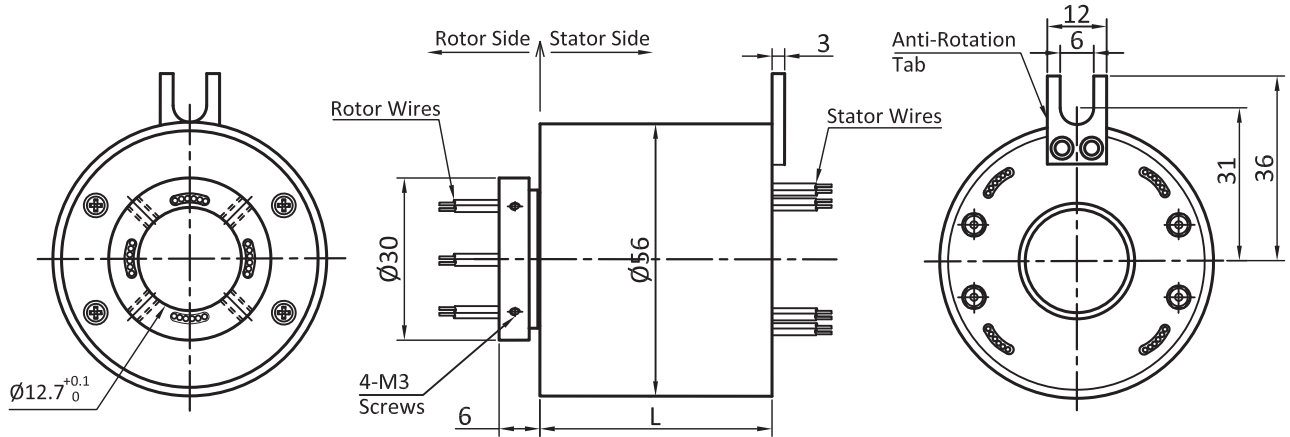
- 75 O.D. flange with 4 mounting holes
- Splash seals for dust and moisture resistance
- Various axial and radial lead exits are available
- Longer lead lengths are available
- Higher current and voltage capacity per circuit
- Support mixed high speed data transmission
- Hybrid Pneumatic/hydraulic and electric slip ring can be mixed.
- Aviation plug, terminal and heat-shrink tube are optional
- IP 65 rated slip ring available

INTRODUCE

STR12

1

STR12 Series Dimensions



Notes:

1. Drawings not actual size, dimensions are in millimeters
2. Rotor and stator leads exit 4 places, 90° apart
3. Flange mounting is options

Part# List

Model#	Power(10A)	Signal or 5A	Length(mm)	Model#	Power(10A)	Signal or 5A	Length(mm)
STR12-P2	2	0	27	STR12-P6S12	6	12	74
STR12S2	0	2	27	STR12-P18	18	0	74
STR12-P3	3	0	30	STR12-S18	0	18	74
STR12-P2S2	2	2	33	STR12-P12S12	12	12	91.2
STR12-P4	4	0	33	STR12-P24	24	0	91.2
STR12-S6	0	6	39.2	STR12-S24	0	24	91.2
STR12-P6	6	0	39.2	STR12-S30	0	30	108.2
STR12-P12	12	0	57.2	STR12-S36	0	36	125.4
STR-S12	0	12	57.2	STR12-S48	0	48	156

Lead wire color code(From the rotor)

Ring#	Color	Description/AWG	Ring#	Color	Description/AWG
1	RED	Signal / AWG22# 10A / AWG16#	7	RED	Signal / AWG22# 10A / AWG16#
2	BLK		8	BLK	
3	BLU		9	BLU	
4	BRN		10	BRN	
5	WHT		11	WHT	
6	GRY		12	GRY	

Notes:

6 wires for 1 group color, from 7~12 circuits would repeat the same color.

STR25 Series Overview

Description

The 1 inch through-bore provides routing space for hydraulics, pneumatics or for a concentric shaft mount.

The STR25 with 25.4mm through hole, 86mm OD, uses our unique fiber brush technology which offers several advantages over conventional slip ring contacts, including multiple points of contact per brush bundle, low noise, electrical and low contact wear rates. It can transmit signal(2A), 10A, multiple 10A current when 360° degree free rotating.



Specifications

Item	
Operating Speed	Max.600 RPM*
Number of Circuits	2~72 wires
Lead Wire	AWG22#, AWG16# Teflon, 300mm
Voltage	440V AC/DC
Operating Temperature	-40°C to 80°C
Current Rating	Signal / 5A, 10A circuits
Noise	<0.01Ω
Torque	0.1N.m; +0.03N.m/6rings
Housing Material	Al alloy
Protection Grade	IP51

*Please note that the operational life of the unit is dependent upon rotational speed, environment and temperature

Options

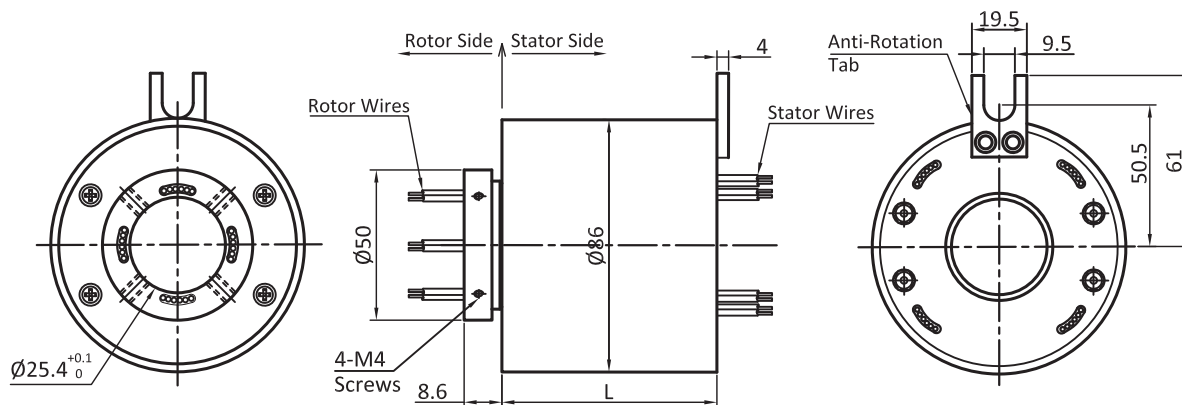
- 110mm OD flange with 4 mounting holes
- Splash seals for dust and moisture resistance
- Various axial and radial lead exits are available
- Longer lead lengths are available
- Higher current and voltage capacity per circuit
- Support mixed high speed data transmission
- Hybrid Pneumatic/hydraulic and electric slip ring can be mixed.
- Aviation plug, terminal and heat-shrink tube are optional
- IP 65 rated slip ring available

INTRODUCE

STR25

1

STR25 Series Dimensions

**Notes:**

1. Drawings not actual size, dimensions are in millimeters
2. Rotor and stator leads exit 4 places, 90° apart
3. Flange mounting is options

Part# List

Model#	Power(10A)	Signal or 5A	Length(mm)	Model#	Power(10A)	Signal or 5A	Length(mm)
STR25-P2	2	0	30.2	STR25-S24	0	24	107.2
STR25-S2	0	2	30.2	STR25-P24	24	0	107.2
STR25-P3	3	0	33.7	STR25-P6S24	6	24	128.2
STR25-P2S2	2	2	37.2	STR25-P18S12	18	12	128.2
STR25-P4	4	0	37.2	STR25-P30	30	0	128.2
STR25-S6	0	6	44.2	STR25-S30	0	30	128.2
STR12-P6	6	0	44.2	STR25-S36	0	36	153.2
STR12-P12	12	0	65.2	STR25-P12S24	12	24	153.2
STR25-S12	0	12	65.2	STR25-P36	36	0	153.2
STR25-P2S10	2	10	65.2	STR25-S42	0	42	174.2
STR25-P4S8	4	8	65.2	STR25-P6S36	6	36	174.2
STR25-P6S6	6	6	65.2	STR25-S48	0	48	195.2
STR25-P6S12	6	12	86.2	STR25-P12S36	12	36	195.2
STR25-P18	18	0	86.2	STR25-S56	0	56	223.2
STR25-S18	0	18	86.2	STR25-P6S50	6	50	223.2
STR25-P10S8	10	8	86.2	STR25-P12S44	12	44	223.2
STR25-P06S18	6	18	107.2	STR26-P6S54	6	54	237.2
STR25-P12S12	12	12	107.2	STR25-S72	0	72	279.2

Lead wire color code(From the rotor)

Ring#	Color	Description/AWG	Ring#	Color	Description/AWG
1	RED	Signal / AWG22# 10A / AWG16#	7	RED	Signal / AWG22# 10A / AWG16#
2	BLK		8	BLK	
3	BLU		9	BLU	
4	BRN		10	BRN	
5	WHT		11	WHT	
6	GRY		12	GRY	

Notes:

6 wires for 1 group color, from 7~12 circuits would repeat the same color.

STR38 Series Overview

Description

The 1 1/2 inch through-bore provides routing space for hydraulics, pneumatics or for a concentric shaft mount.

The STR38 with 38.1mm through hole, 99mm OD, uses our unique fiber brush technology which offers several advantages over conventional slip ring contacts, including multiple points of contact per brush bundle, low noise, electrical and low contact wear rates. It can transmit signal(2A), 10A, multiple 10A current when 360° degree free rotating.



Specifications

Item	
Operating Speed	Max.500 RPM*
Number of Circuits	2~72 wires
Lead Wire	AWG22#, AWG16# Teflon, 300mm
Voltage	440V AC/DC
Operating Temperature	-40°C to 80°C
Current Rating	Signal / 5A, 10A circuits
Noise	<0.01Ω
Torque	0.1N.m; +0.03N.m/6rings
Housing Material	Al alloy
Protection Grade	IP51

*Please note that the operational life of the unit is dependent upon rotational speed, environment and temperature

Options

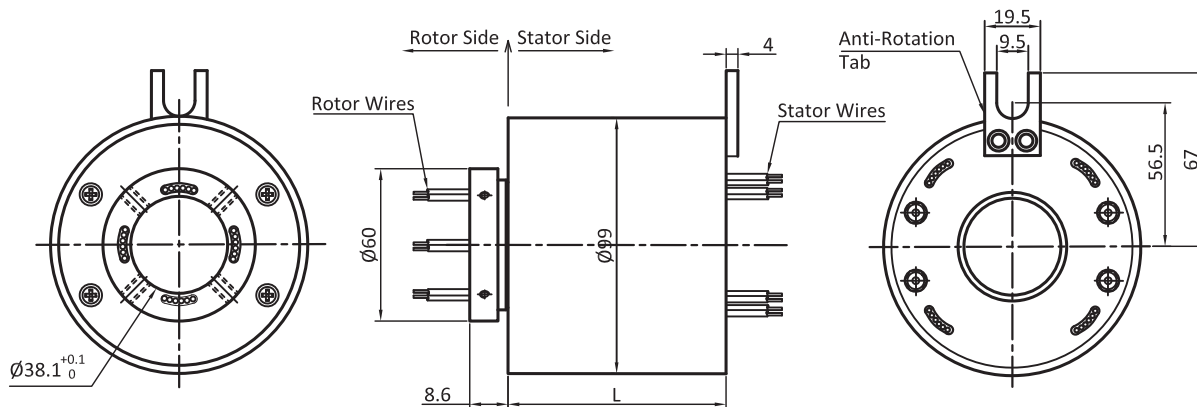
- 123mm OD flange with 4 mounting holes
- Splash seals for dust and moisture resistance
- Various axial and radial lead exits are available
- Longer lead lengths are available
- Higher current and voltage capacity per circuit
- Support mixed high speed data transmission
- Hybrid Pneumatic/hydraulic and electric slip ring can be mixed.
- Aviation plug, terminal and heat-shrink tube are optional
- IP 65 rated slip ring available

INTRODUCE

STR38

1

STR38 Series Dimensions



Notes:

1. Drawings not actual size, dimensions are in millimeters
2. Rotor and stator leads exit 4 places, 90° apart
3. Flange mounting is options

Part# List

Model#	Power(10A)	Signal or 5A	Length(mm)	Model#	Power(10A)	Signal or 5A	Length(mm)
STR38-P2	2	0	30.2	STR38-S24	0	24	107.2
STR38-S2	0	2	30.2	STR38-P24	24	0	107.2
STR38-P3	3	0	33.7	STR38-P6S24	6	24	128.2
STR38-P2S2	2	2	37.2	STR38-P18S12	18	12	128.2
STR38-P4	4	0	37.2	STR38-P30	30	0	128.2
STR38-S6	0	6	44.2	STR38-S30	0	30	128.2
STR38-P6	6	0	44.2	STR38-S36	0	36	153.2
STR38-P12	12	0	65.2	STR38-P12S24	12	24	153.2
STR38-S12	0	12	65.2	STR38-P36	36	0	153.2
STR38-P2S10	2	10	65.2	STR38-S42	0	42	174.2
STR38-P4S8	4	8	65.2	STR38-P6S36	6	36	174.2
STR38-P6S6	6	6	65.2	STR38-S48	0	48	195.2
STR38-P6S12	6	12	86.2	STR38-P12S36	12	36	195.2
STR38-P18	18	0	86.2	STR38-S56	0	56	223.2
STR38-S18	0	18	86.2	STR38-P6S50	6	50	223.2
STR38-P10S8	10	8	86.2	STR38-P12S44	12	44	223.2
STR38-P06S18	6	18	107.2	STR38-P6S54	6	54	237.2
STR38-P12S12	12	12	107.2	STR38-S72	0	72	279.2

Lead wire color code(From the rotor)

Ring#	Color	Description/AWG	Ring#	Color	Description/AWG
1	RED	Signal / AWG22# 10A / AWG16#	7	RED	Signal / AWG22# 10A / AWG16#
2	BLK		8	BLK	
3	BLU		9	BLU	
4	BRN		10	BRN	
5	WHT		11	WHT	
6	GRY		12	GRY	

Notes:

6 wires for 1 group color, from 7~12 circuits would repeat the same color.

STR50 Series Overview

Description

The 2 inch through-bore provides routing space for hydraulics, pneumatics or for a concentric shaft mount.

The STR50 with 50mm through hole, 119mm OD, uses our unique fiber brush technology which offers several advantages over conventional slip ring contacts, including multiple points of contact per brush bundle, low noise, electrical and low contact wear rates. It can transmit signal(2A), 10A, multiple 10A current when 360° degree free rotating.



Specifications

Item	
Operating Speed	Max.300 RPM*
Number of Circuits	2~72 wires
Lead Wire	AWG22#, AWG16# Teflon, 300mm
Voltage	600V AC/DC
Operating Temperature	-40°C to 80°C
Current Rating	Signal / 5A, 10A circuits
Noise	<0.01Ω
Torque	0.1N.m; +0.03N.m/6rings
Housing Material	Al alloy
Protection Grade	IP51

*Please note that the operational life of the unit is dependent upon rotational speed, environment and temperature

Options

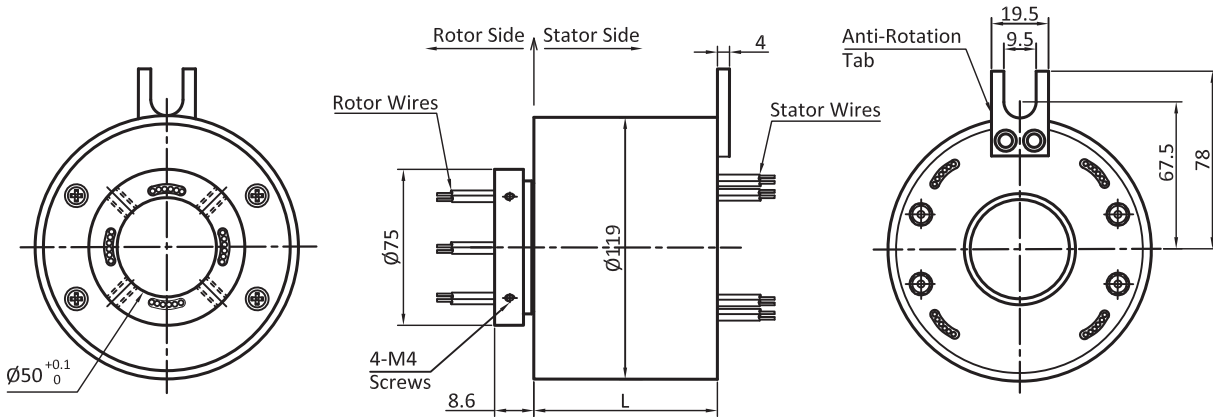
- 150mm OD flange with 4 mounting holes
- Splash seals for dust and moisture resistance
- Various axial and radial lead exits are available
- Longer lead lengths are available
- Higher current and voltage capacity per circuit
- Support mixed high speed data transmission
- Hybrid Pneumatic/hydraulic and electric slip ring can be mixed.
- Aviation plug, terminal and heat-shrink tube are optional
- IP 65 rated slip ring available

INTRODUCE

STR50

1

STR50 Series Dimensions



Notes:

1. Drawings not actual size, dimensions are in millimeters
2. Rotor and stator leads exit 4 places, 90° apart
3. Flange mounting is options

Part# List

Model#	Power(10A)	Signal or 5A	Length(mm)	Model#	Power(10A)	Signal or 5A	Length(mm)
STR50-P2	2	0	37	STR50-S24	0	24	120.6
STR50-S2	0	2	37	STR50-P24	24	0	120.6
STR50-P3	3	0	40.8	STR50-P6S24	6	24	143.4
STR50-P2S2	2	2	44.6	STR50-P18S12	18	12	143.4
STR50-P4	4	0	44.6	STR50-P30	30	0	143.4
STR50-S6	0	6	52.2	STR50-S30	0	30	143.4
STR50-P6	6	0	52.2	STR50-S36	0	36	166.2
STR50-P12	12	0	75	STR50-P12S24	12	24	166.2
STR50-S12	0	12	75	STR50-P36	36	0	166.2
STR50-P2S10	2	10	75	STR50-S42	0	42	193
STR50-P4S8	4	8	75	STR50-P6S36	6	36	193
STR50-P6S6	6	6	75	STR50-S48	0	48	215.8
STR50-P6S12	6	12	97.8	STR50-P12S36	12	36	215.8
STR50-P18	18	0	97.8	STR50-S56	0	56	246.2
STR50-S18	0	18	97.8	STR50-P6S50	6	50	246.2
STR50-P10S8	10	8	97.8	STR50-P12S44	12	44	246.2
STR50-P06S18	6	18	120.6	STR50-P6S54	6	54	261.4
STR50-P12S12	12	12	120.6	STR50-S72	0	72	307

Notes: Not all of the part number are list in this table, if can not find suitable products, please contact us!

Lead wire color code(From the rotor)

Ring#	Color	Description/AWG	Ring#	Color	Description/AWG
1	RED	Signal / AWG22# 10A / AWG16#	7	RED	Signal / AWG22# 10A / AWG16#
2	BLK		8	BLK	
3	BLU		9	BLU	
4	BRN		10	BRN	
5	WHT		11	WHT	
6	GRY		12	GRY	

Notes:

6 wires for 1 group color, from 7~12 circuits would repeat the same color.

STR60 Series Overview

Description

The through-bore provides routing space for hydraulics, pneumatics or for a concentric shaft mount.

The STR60 with 60mm through hole, 130mm OD, uses our unique fiber brush technology which offers several advantages over conventional slip ring contacts, including multiple points of contact per brush bundle, low noise, electrical and low contact wear rates. It can transmit signal(2A), 10A, multiple 10A current when 360° degree free rotating.



Specifications

Item	
Operating Speed	Max.300 RPM*
Number of Circuits	2~108 wires
Lead Wire	AWG22#, AWG16# Teflon, 300mm
Voltage	600V AC/DC
Operating Temperature	-40°C to 80°C
Current Rating	Signal / 5A, 10A circuits
Noise	<0.01Ω
Torque	0.1N.m; +0.03N.m/6rings
Housing Material	Al alloy
Protection Grade	IP51

*Please note that the operational life of the unit is dependent upon rotational speed, environment and temperature

Options

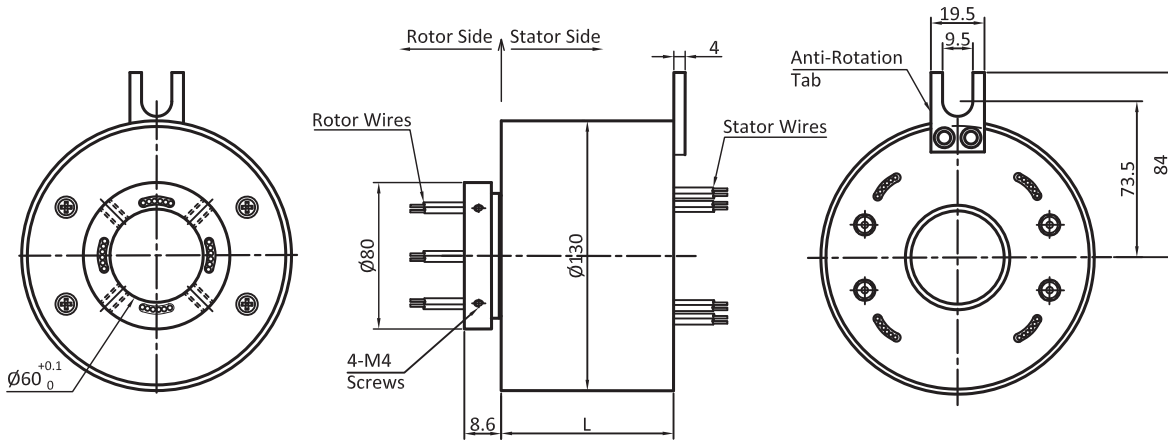
- Flange with 4 mounting holes
- Splash seals for dust and moisture resistance
- Various axial and radial lead exits are available
- Longer lead lengths are available
- Higher current and voltage capacity per circuit
- Support mixed high speed data transmission
- Hybrid Pneumatic/hydraulic and electric slip ring can be mixed.
- Aviation plug, terminal and heat-shrink tube are optional
- IP 65 rated slip ring available

INTRODUCE

STR60

1

STR60 Series Dimensions



Notes:

1. Drawings not actual size, dimensions are in millimeters
2. Rotor and stator leads exit 4 places, 90° apart
3. Flange mounting is options

Part# List

Model#	Power(10A)	Signal or 5A	Length(mm)	Model#	Power(10A)	Signal or 5A	Length(mm)
STR60-P2	2	0	37	STR60-S24	0	24	120.6
STR60-S2	0	2	37	STR60-P24	24	0	120.6
STR60-P3	3	0	40.8	STR60-P6S24	6	24	143.4
STR60-P2S2	2	2	44.6	STR60-P18S12	18	12	143.4
STR60-P4	4	0	44.6	STR60-P30	30	0	143.4
STR60-S6	0	6	52.2	STR60-S30	0	30	143.4
STR60-P6	6	0	52.2	STR60-S36	0	36	166.2
STR60-P12	12	0	75	STR60-P12S24	12	24	166.2
STR60-S12	0	12	75	STR60-P36	36	0	166.2
STR60-P2S10	2	10	75	STR60-S42	0	42	193
STR60-P4S8	4	8	75	STR60-P6S36	6	36	193
STR60-P6S6	6	6	75	STR60-S48	0	48	215.8
STR60-P6S12	6	12	97.8	STR60-P12S36	12	36	215.8
STR60-P18	18	0	97.8	STR60-S56	0	56	246.2
STR60-S18	0	18	97.8	STR60-P6S50	6	50	246.2
STR60-P10S8	10	8	97.8	STR60-P12S44	12	44	246.2
STR60-P06S18	6	18	120.6	STR60-P6S54	6	54	261.4
STR60-P12S12	12	12	120.6	STR60-S72	0	72	307

Notes: Not all of the part number are list in this table, if can not find suitable products, please contact us!

Lead wire color code(From the rotor)

Ring#	Color	Description/AWG	Ring#	Color	Description/AWG
1	RED	Signal / AWG22# 10A / AWG16#	7	RED	Signal / AWG22# 10A / AWG16#
2	BLK		8	BLK	
3	BLU		9	BLU	
4	BRN		10	BRN	
5	WHT		11	WHT	
6	GRY		12	GRY	

Notes:

6 wires for 1 group color, from 7~12 circuits would repeat the same color.

STR70 Series Overview

Description

The through-bore provides routing space for hydraulics, pneumatics or for a concentric shaft mount.

The STR70 with 70mm through hole, 158mm OD, uses our unique fiber brush technology which offers several advantages over conventional slip ring contacts, including multiple points of contact per brush bundle, low noise, electrical and low contact wear rates. It can transmit signal(2A), 10A, multiple 10A current when 360° degree free rotating.



Specifications

Item	
Operating Speed	Max.300 RPM*
Number of Circuits	2~108 wires
Lead Wire	AWG22#, AWG16# Teflon, 300mm
Voltage	600V AC/DC
Operating Temperature	-40°C to 80°C
Current Rating	Signal / 5A, 10A circuits
Noise	<0.01Ω
Torque	0.1N.m; +0.03N.m/6rings
Housing Material	Al alloy
Protection Grade	IP51

*Please note that the operational life of the unit is dependent upon rotational speed, environment and temperature

Options

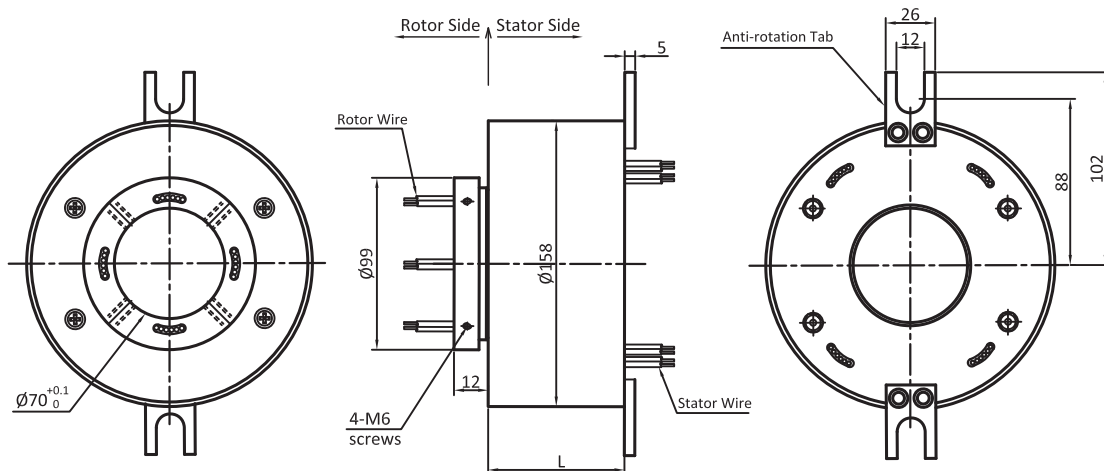
- Flange with 4 mounting holes
- Splash seals for dust and moisture resistance
- Various axial and radial lead exits are available
- Longer lead lengths are available
- Higher current and voltage capacity per circuit
- Support mixed high speed data transmission
- Hybrid Pneumatic/hydraulic and electric slip ring can be mixed.
- Aviation plug, terminal and heat-shrink tube are optional
- IP 65 rated slip ring available

INTRODUCE

STR70

1

STR70 Series Dimensions



Notes:

1. Drawings not actual size, dimensions are in millimeters
2. Rotor and stator leads exit 4 places, 90° apart
3. Flange mounting is options

Part# List

Model#	Power(10A)	Signal or 5A	Length(mm)	Model#	Power(10A)	Signal or 5A	Length(mm)
STR70-P2	2	0	45	STR70-S24	0	24	128.6
STR70-S2	0	2	45	STR70-P24	24	0	128.6
STR70-P3	3	0	48.8	STR70-P6S24	6	24	151.4
STR70-P2S2	2	2	52.6	STR70-P18S12	18	12	151.4
STR70-P4	4	0	52.6	STR70-P30	30	0	151.4
STR70-S6	0	6	60.2	STR70-S30	0	30	151.4
STR70-P6	6	0	60.2	STR70-S36	0	36	174.2
STR70-P12	12	0	83	STR70-P12S24	12	24	174.2
STR70-S12	0	12	83	STR70-P36	36	0	174.2
STR70-P2S10	2	10	83	STR70-S42	0	42	201
STR70-P4S8	4	8	83	STR70-P6S36	6	36	201
STR70-P6S6	6	6	83	STR70-S48	0	48	223.8
STR70-P6S12	6	12	105.8	STR70-P12S36	12	36	223.8
STR70-P18	18	0	105.8	STR70-S56	0	56	254.2
STR70-S18	0	18	105.8	STR70-P6S50	6	50	254.2
STR70-P10S8	10	8	105.8	STR70-P12S44	12	44	254.2
STR70-P06S18	6	18	128.6	STR70-P6S54	6	54	269.4
STR70-P12S12	12	12	128.6	STR70-S72	0	72	315

Notes: Not all of the part number are list in this table, if can not find suitable products, please contact us!

Lead wire color code(From the rotor)

Ring#	Color	Description/AWG	Ring#	Color	Description/AWG
1	RED	Signal / AWG22# 10A / AWG16#	7	RED	Signal / AWG22# 10A / AWG16#
2	BLK		8	BLK	
3	BLU		9	BLU	
4	BRN		10	BRN	
5	WHT		11	WHT	
6	GRY		12	GRY	

Notes:

6 wires for 1 group color, from 7~12 circuits would repeat the same color.

STR80 Series Overview

Description

The through-bore provides routing space for hydraulics, pneumatics or for a concentric shaft mount.

The STR80 with 80mm through hole, 158mm OD, uses our unique fiber brush technology which offers several advantages over conventional slip ring contacts, including multiple points of contact per brush bundle, low noise, electrical and low contact wear rates. It can transmit signal(2A), 10A, multiple 10A current when 360° degree free rotating.



Specifications

Item	
Operating Speed	Max.300 RPM*
Number of Circuits	2~108 wires
Lead Wire	AWG22#, AWG16# Teflon, 300mm
Voltage	600V AC/DC
Operating Temperature	-40°C to 80°C
Current Rating	Signal / 5A, 10A circuits
Noise	<0.01Ω
Torque	0.1N.m; +0.03N.m/6rings
Housing Material	Al alloy
Protection Grade	IP51

*Please note that the operational life of the unit is dependent upon rotational speed, environment and temperature

Options

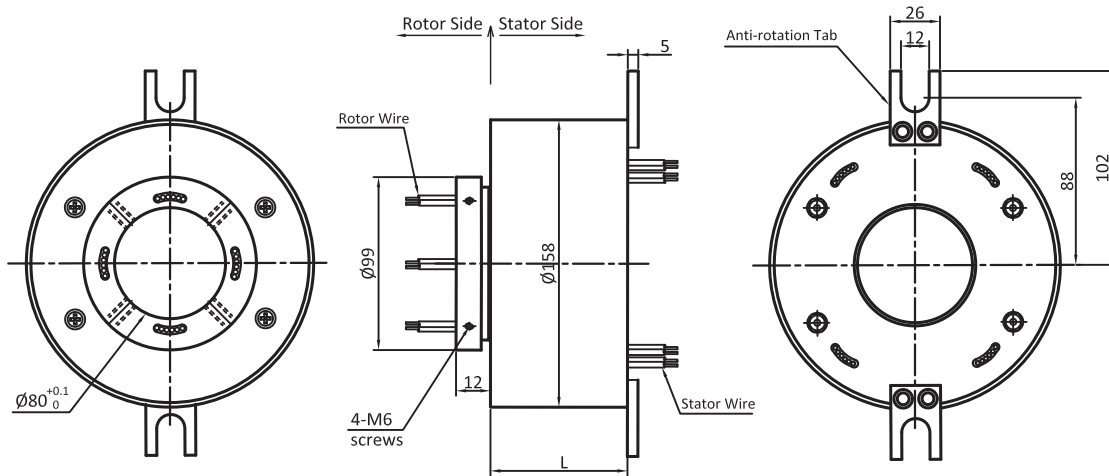
- Flange with 4 mounting holes
- Splash seals for dust and moisture resistance
- Various axial and radial lead exits are available
- Longer lead lengths are available
- Higher current and voltage capacity per circuit
- Support mixed high speed data transmission
- Hybrid Pneumatic/hydraulic and electric slip ring can be mixed.
- Aviation plug, terminal and heat-shrink tube are optional
- IP 65 rated slip ring available

INTRODUCE

STR80

1

STR80 Series Dimensions



Notes:

1. Drawings not actual size, dimensions are in millimeters
2. Rotor and stator leads exit 4 places, 90° apart
3. Flange mounting is options

Part# List

Model#	Power(10A)	Signal or 5A	Length(mm)	Model#	Power(10A)	Signal or 5A	Length(mm)
STR80-P2	2	0	45	STR80-S24	0	24	128.6
STR80-S2	0	2	45	STR80-P24	24	0	128.6
STR80-P3	3	0	48.8	STR80-P6S24	6	24	151.4
STR80-P2S2	2	2	52.6	STR80-P18S12	18	12	151.4
STR80-P4	4	0	52.6	STR80-P30	30	0	151.4
STR80-S6	0	6	60.2	STR80-S30	0	30	151.4
STR80-P6	6	0	60.2	STR80-S36	0	36	174.2
STR80-P12	12	0	83	STR80-P12S24	12	24	174.2
STR80-S12	0	12	83	STR80-P36	36	0	174.2
STR80-P2S10	2	10	83	STR80-S42	0	42	201
STR80-P4S8	4	8	83	STR80-P6S36	6	36	201
STR80-P6S6	6	6	83	STR80-S48	0	48	223.8
STR80-P6S12	6	12	105.8	STR80-P12S36	12	36	223.8
STR80-P18	18	0	105.8	STR80-S56	0	56	254.2
STR80-S18	0	18	105.8	STR80-P6S50	6	50	254.2
STR80-P10S8	10	8	105.8	STR80-P12S44	12	44	254.2
STR80-P06S18	6	18	128.6	STR80-P6S54	6	54	269.4
STR80-P12S12	12	12	128.6	STR80-S72	0	72	315

Notes: Not all of the part number are list in this table, if can not find suitable products, please contact us!

Lead wire color code(From the rotor)

Ring#	Color	Description/AWG	Ring#	Color	Description/AWG
1	RED	Signal / AWG22# 10A / AWG16#	7	RED	Signal / AWG22# 10A / AWG16#
2	BLK		8	BLK	
3	BLU		9	BLU	
4	BRN		10	BRN	
5	WHT		11	WHT	
6	GRY		12	GRY	

Notes:

6 wires for 1 group color, from 7~12 circuits would repeat the same color.

STR90 Series Overview

Description

The through-bore provides routing space for hydraulics, pneumatics or for a concentric shaft mount.

The STR90 with 90mm through hole, 185mm OD, uses our unique fiber brush technology which offers several advantages over conventional slip ring contacts, including multiple points of contact per brush bundle, low noise, electrical and low contact wear rates. It can transmit signal(2A), 10A, multiple 10A current when 360° degree free rotating.



Specifications

Item	
Operating Speed	Max.250 RPM*
Number of Circuits	2~108 wires
Lead Wire	AWG22#, AWG16# Teflon, 300mm
Voltage	600V AC/DC
Operating Temperature	-40°C to 80°C
Current Rating	Signal / 5A, 10A circuits
Noise	<0.01Ω
Torque	0.1N.m; +0.03N.m/6rings
Housing Material	Al alloy
Protection Grade	IP51

*Please note that the operational life of the unit is dependent upon rotational speed, environment and temperature

Options

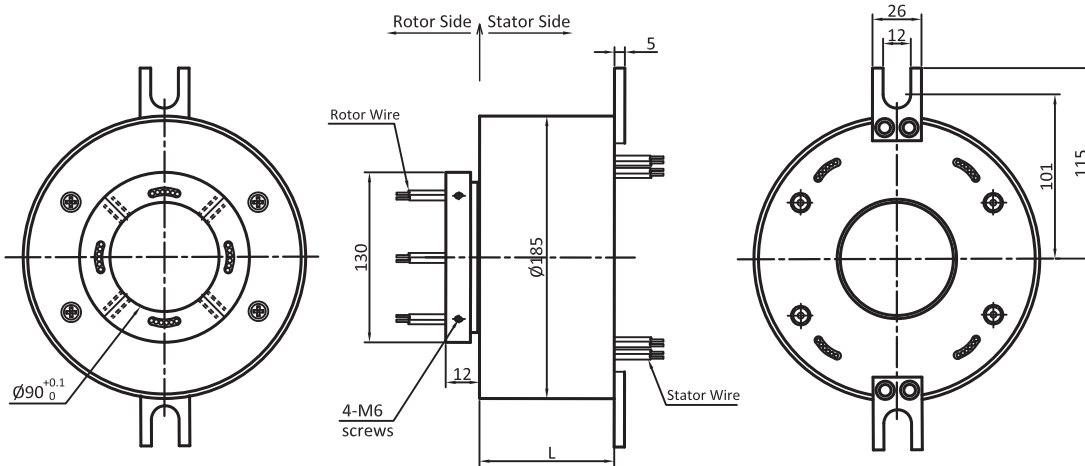
- Flange with 4 mounting holes
- Splash seals for dust and moisture resistance
- Various axial and radial lead exits are available
- Longer lead lengths are available
- Higher current and voltage capacity per circuit
- Support mixed high speed data transmission
- Hybrid Pneumatic/hydraulic and electric slip ring can be mixed.
- Aviation plug, terminal and heat-shrink tube are optional
- IP 65 rated slip ring available

INTRODUCE

STR90

1

STR90 Series Dimensions



Notes:

1. Drawings not actual size, dimensions are in millimeters
2. Rotor and stator leads exit 4 places, 90° apart
3. Flange mounting is options

Part# List

Model#	Power(10A)	Signal or 5A	Length(mm)	Model#	Power(10A)	Signal or 5A	Length(mm)
STR90-P2	2	0	51	STR90-S24	0	24	139
STR90-S2	0	2	51	STR90-P24	24	0	139
STR90-P3	3	0	55	STR90-P6S24	6	24	163
STR90-P2S2	2	2	59	STR90-P18S12	18	12	163
STR90-P4	4	0	59	STR90-P30	30	0	163
STR90-S6	0	6	67	STR90-S30	0	30	163
STR90-P6	6	0	67	STR90-S36	0	36	192
STR90-P12	12	0	91	STR90-P12S24	12	24	192
STR90-S12	0	12	91	STR90-P36	36	0	192
STR90-P2S10	2	10	91	STR90-S42	0	42	216
STR90-P4S8	4	8	91	STR90-P6S36	6	36	216
STR90-P6S6	6	6	91	STR90-S48	0	48	240
STR90-P6S12	6	12	115	STR90-P12S36	12	36	240
STR90-P18	18	0	115	STR90-S56	0	56	272
STR90-S18	0	18	115	STR90-P6S50	6	50	272
STR90-P10S8	10	8	115	STR90-P12S44	12	44	272
STR90-P06S18	6	18	139	STR90-P6S54	6	54	286
STR90-P12S12	12	12	139	STR90-S72	0	72	334

Notes: Not all of the part number are list in this table, if can not find suitable products, please contact us!

Lead wire color code(From the rotor)

Ring#	Color	Description/AWG	Ring#	Color	Description/AWG
1	RED	Signal / AWG22# 10A / AWG16#	7	RED	Signal / AWG22# 10A / AWG16#
2	BLK		8	BLK	
3	BLU		9	BLU	
4	BRN		10	BRN	
5	WHT		11	WHT	
6	GRY		12	GRY	

Notes:

6 wires for 1 group color, from 7~12 circuits would repeat the same color.

STR100 Series Overview

Description

The through-bore provides routing space for hydraulics, pneumatics or for a concentric shaft mount.

The STR90 with 90mm through hole, 185mm OD, uses our unique fiber brush technology which offers several advantages over conventional slip ring contacts, including multiple points of contact per brush bundle, low noise, electrical and low contact wear rates. It can transmit signal(2A), 10A, multiple 10A current when 360° degree free rotating.



Specifications

Item	
Operating Speed	Max.250 RPM*
Number of Circuits	2~108 wires
Lead Wire	AWG22#, AWG16# Teflon, 300mm
Voltage	600V AC/DC
Operating Temperature	-40°C to 80°C
Current Rating	Signal / 5A, 10A circuits
Noise	<0.01Ω
Torque	0.1N.m; +0.03N.m/6rings
Housing Material	Al alloy
Protection Grade	IP51

*Please note that the operational life of the unit is dependent upon rotational speed, environment and temperature

Options

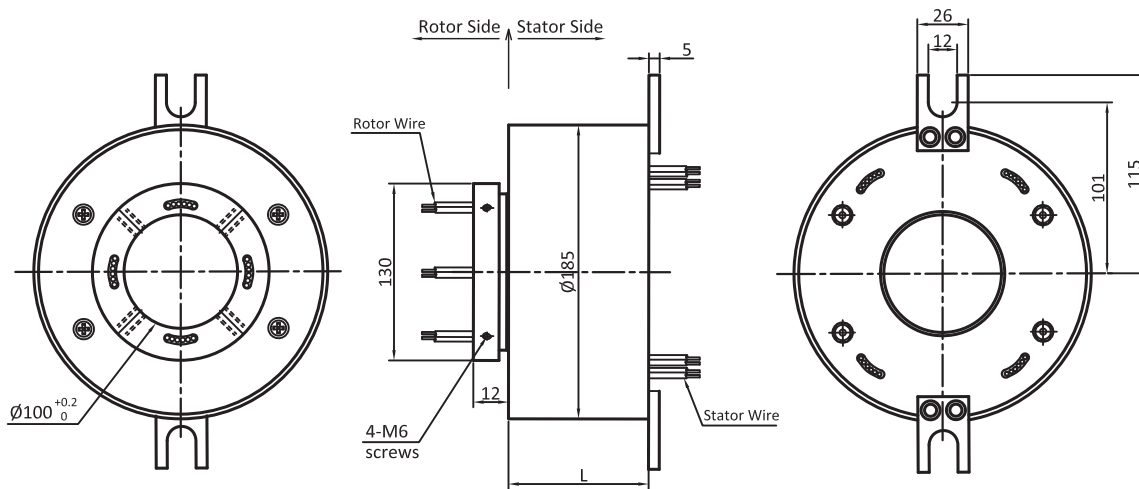
- Flange with 4 mounting holes
- Splash seals for dust and moisture resistance
- Various axial and radial lead exits are available
- Longer lead lengths are available
- Higher current and voltage capacity per circuit
- Support mixed high speed data transmission
- Hybrid Pneumatic/hydraulic and electric slip ring can be mixed.
- Aviation plug, terminal and heat-shrink tube are optional
- IP 65 rated slip ring available

INTRODUCE

STR100

1

STR100 Series Dimensions



Notes:

1. Drawings not actual size, dimensions are in millimeters
2. Rotor and stator leads exit 4 places, 90° apart
3. Flange mounting is options

Part# List

Model#	Power(10A)	Signal or 5A	Length(mm)	Model#	Power(10A)	Signal or 5A	Length(mm)
STR100-P2	2	0	51	STR100-S24	0	24	139
STR100-S2	0	2	51	STR100-P24	24	0	139
STR100-P3	3	0	55	STR100-P6S24	6	24	163
STR100-P2S2	2	2	59	STR100-P18S12	18	12	163
STR100-P4	4	0	59	STR100-P30	30	0	163
STR100-S6	0	6	67	STR100-S30	0	30	163
STR100-P6	6	0	67	STR100-S36	0	36	192
STR100-P12	12	0	91	STR100-P12S24	12	24	192
STR100-S12	0	12	91	STR100-P36	36	0	192
STR100-P2S10	2	10	91	STR100-S42	0	42	216
STR100-P4S8	4	8	91	STR100-P6S36	6	36	216
STR100-P6S6	6	6	91	STR100-S48	0	48	240
STR100-P6S12	6	12	115	STR100-P12S36	12	36	240
STR100-P18	18	0	115	STR100-S56	0	56	272
STR100-S18	0	18	115	STR100-P6S50	6	50	272
STR100-P10S8	10	8	115	STR100-P12S44	12	44	272
STR100-P06S18	6	18	139	STR100-P6S54	6	54	286
STR100-P12S12	12	12	139	STR100-S72	0	72	334

Notes: Not all of the part number are list in this table, if can not find suitable products, please contact us!

Lead wire color code(From the rotor)

Ring#	Color	Description/AWG	Ring#	Color	Description/AWG
1	RED	Signal / AWG22# 10A / AWG16#	1	RED	Signal / AWG22# 10A / AWG16#
2	BLK		2	BLK	
3	BLU		3	BLU	
4	BRN		4	BRN	
5	WHT		5	WHT	
6	GRY		6	GRY	

Notes:

6 wires for 1 group color, from 7~12 circuits would repeat the same color.

STR120 Series Overview

Description

The through-bore provides routing space for hydraulics, pneumatics or for a concentric shaft mount.

The STR120 with 120mm through hole, 215mm OD, uses our unique fiber brush technology which offers several advantages over conventional slip ring contacts, including multiple points of contact per brush bundle, low noise, electrical and low contact wear rates. It can transmit signal(2A), 10A, multiple 10A current when 360° degree free rotating.



Specifications

Item	
Operating Speed	Max. 150 RPM*
Number of Circuits	2~108 wires
Lead Wire	AWG22#, AWG16# Teflon, 300mm
Voltage	600V AC/DC
Operating Temperature	-40°C to 80°C
Current Rating	Signal / 5A, 10A circuits
Noise	<0.01Ω
Torque	0.1N.m; +0.03N.m/6rings
Housing Material	Al alloy
Protection Grade	IP51

*Please note that the operational life of the unit is dependent upon rotational speed, environment and temperature

Options

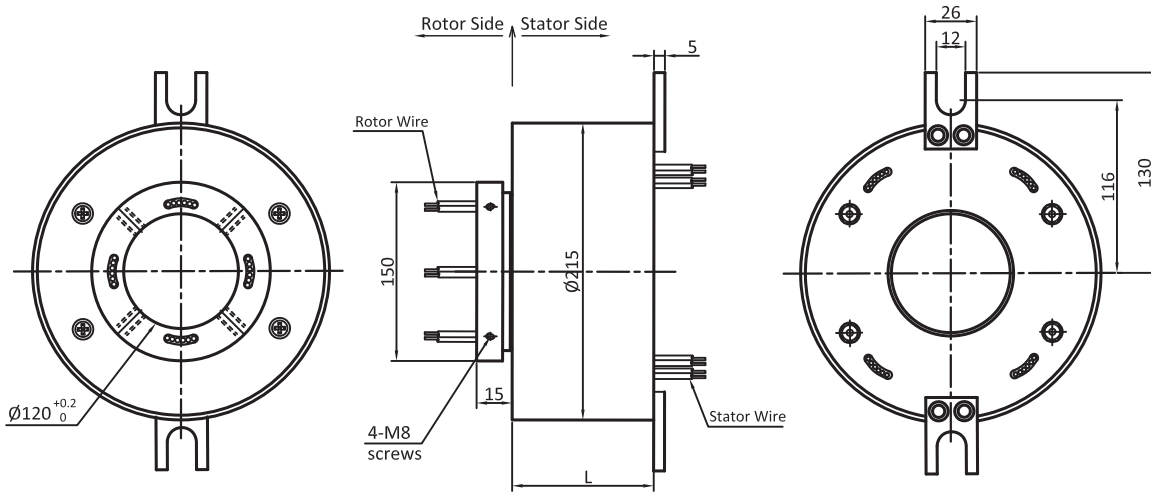
- Flange with 4 mounting holes
- Splash seals for dust and moisture resistance
- Various axial and radial lead exits are available
- Longer lead lengths are available
- Higher current and voltage capacity per circuit
- Support mixed high speed data transmission
- Hybrid Pneumatic/hydraulic and electric slip ring can be mixed.
- Aviation plug, terminal and heat-shrink tube are optional
- IP 65 rated slip ring available

INTRODUCE

STR120

1

STR120 Series Dimensions



Notes:

1. Drawings not actual size, dimensions are in millimeters
2. Rotor and stator leads exit 4 places, 90° apart
3. Flange mounting is options

Part# List

Model#	Power(10A)	Signal or 5A	Length(mm)	Model#	Power(10A)	Signal or 5A	Length(mm)
STR120-P2	2	0	57	STR120-S24	0	24	167
STR120-S2	0	2	57	STR120-P24	24	0	167
STR120-P3	3	0	62	STR120-P6S24	6	24	197
STR120-P2S2	2	2	67	STR120-P18S12	18	12	197
STR120-P4	4	0	67	STR120-P30	30	0	197
STR120-S6	0	6	77	STR120-S30	0	30	197
STR120-P6	6	0	77	STR120-S36	0	36	232
STR120-P12	12	0	107	STR120-P12S24	12	24	232
STR120-S12	0	12	107	STR120-P36	36	0	232
STR120-P2S10	2	10	107	STR120-S42	0	42	262
STR120-P4S8	4	8	107	STR120-P6S36	6	36	262
STR120-P6S6	6	6	107	STR120-S48	0	48	292
STR120-P6S12	6	12	137	STR120-P12S36	12	36	292
STR120-P18	18	0	137	STR120-S56	0	56	332
STR120-S18	0	18	137	STR120-P6S50	6	50	332
STR120-P10S8	10	8	137	STR120-P12S44	12	44	332
STR120-P06S18	6	18	167	STR120-P6S54	6	54	362
STR120-P12S12	12	12	167	STR120-S72	0	72	422

Notes: Not all of the part number are list in this table, if can not find suitable products, please contact us!

Lead wire color code(From the rotor)

Ring#	Color	Description/AWG	Ring#	Color	Description/AWG
1	RED	Signal / AWG22# 10A / AWG16#	7	RED	Signal / AWG22# 10A / AWG16#
2	BLK		8	BLK	
3	BLU		9	BLU	
4	BRN		10	BRN	
5	WHT		11	WHT	
6	GRY		12	GRY	

Notes:

6 wires for 1 group color, from 7~12 circuits would repeat the same color.

INTRODUCE

STR150

1

STR150 Series Overview

Description

The through-bore provides routing space for hydraulics, pneumatics or for a concentric shaft mount.

The STR150 with 150mm through hole, 248mm OD, uses our unique fiber brush technology which offers several advantages over conventional slip ring contacts, including multiple points of contact per brush bundle, low noise, electrical and low contact wear rates. It can transmit signal(2A), 10A, multiple 10A current when 360° degree free rotating.



Specifications

Item	
Operating Speed	Max. 150 RPM*
Number of Circuits	2~108 wires
Lead Wire	AWG22#, AWG16# Teflon, 300mm
Voltage	600V AC/DC
Operating Temperature	-40°C to 80°C
Current Rating	Signal / 5A, 10A circuits
Noise	<0.01Ω
Torque	0.1N.m; +0.03N.m/6rings
Housing Material	Al alloy
Protection Grade	IP51

*Please note that the operational life of the unit is dependent upon rotational speed, environment and temperature

Options

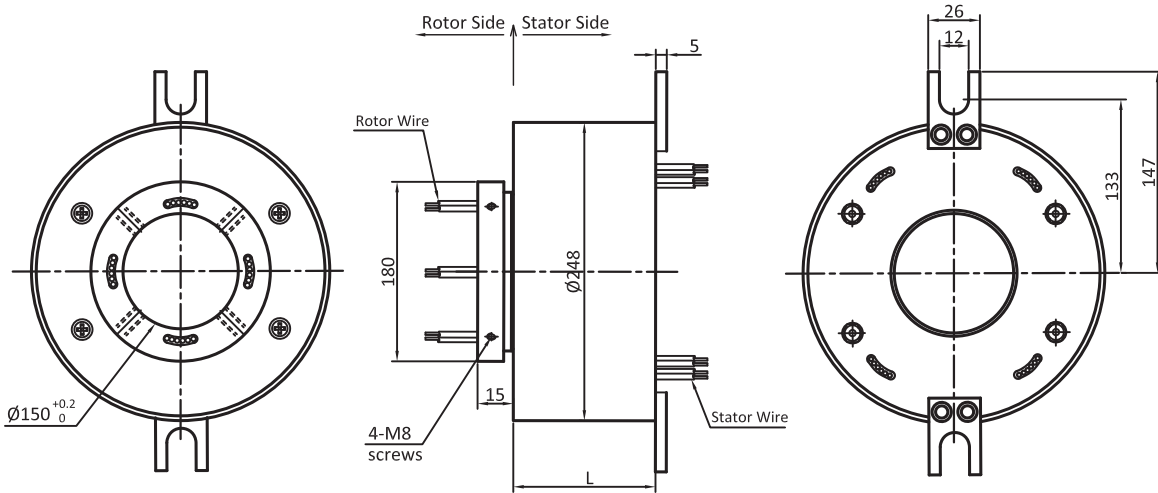
- Flange with 4 mounting holes
- Splash seals for dust and moisture resistance
- Various axial and radial lead exits are available
- Longer lead lengths are available
- Higher current and voltage capacity per circuit
- Support mixed high speed data transmission
- Hybrid Pneumatic/hydraulic and electric slip ring can be mixed.
- Aviation plug, terminal and heat-shrink tube are optional
- IP 65 rated slip ring available

INTRODUCE

STR150

1

STR150 Series Dimensions



Notes:

1. Drawings not actual size, dimensions are in millimeters
2. Rotor and stator leads exit 4 places, 90° apart
3. Flange mounting is options

Part# List

Model#	Power(10A)	Signal or 5A	Length(mm)	Model#	Power(10A)	Signal or 5A	Length(mm)
STR150-P2	2	0	67	STR150-S24	0	24	177
STR150-S2	0	2	67	STR150-P24	24	0	177
STR150-P3	3	0	72	STR150-P6S24	6	24	207
STR150-P2S2	2	2	77	STR150-P18S12	18	12	207
STR150-P4	4	0	77	STR150-P30	30	0	207
STR150-S6	0	6	87	STR150-S30	0	30	207
STR150-P6	6	0	87	STR150-S36	0	36	242
STR150-P12	12	0	117	STR150-P12S24	12	24	242
STR150-S12	0	12	117	STR150-P36	36	0	242
STR150-P2S10	2	10	117	STR150-S42	0	42	272
STR150-P4S8	4	8	117	STR150-P6S36	6	36	272
STR150-P6S6	6	6	117	STR150-S48	0	48	302
STR150-P6S12	6	12	147	STR150-P12S36	12	36	302
STR150-P18	18	0	147	STR150-S56	0	56	342
STR150-S18	0	18	147	STR150-P6S50	6	50	342
STR150-P10S8	10	8	147	STR150-P12S44	12	44	342
STR150-P06S18	6	18	177	STR150-P6S54	6	54	372
STR120-P12S12	12	12	177	STR150-S72	0	72	432

Notes: Not all of the part number are list in this table, if can not find suitable products, please contact us!

Lead wire color code(From the rotor)

Ring#	Color	Description/AWG	Ring#	Color	Description/AWG
1	RED	Signal / AWG22# 10A / AWG16#	7	RED	Signal / AWG22# 10A / AWG16#
2	BLK		8	BLK	
3	BLU		9	BLU	
4	BRN		10	BRN	
5	WHT		11	WHT	
6	GRY		12	GRY	

Notes:

6 wires for 1 group color, from 7~12 circuits would repeat the same color.

STR180 Series Overview

Description

The through-bore provides routing space for hydraulics, pneumatics or for a concentric shaft mount.

The STR180 with 180mm through hole, 298mm OD, uses our unique fiber brush technology which offers several advantages over conventional slip ring contacts, including multiple points of contact per brush bundle, low noise, electrical and low contact wear rates. It can transmit signal(2A), 10A, multiple 10A current when 360° degree free rotating.



Specifications

Item	
Operating Speed	Max. 150 RPM*
Number of Circuits	2~108 wires
Lead Wire	AWG22#, AWG16# Teflon, 300mm
Voltage	600V AC/DC
Operating Temperature	-40°C to 80°C
Current Rating	Signal / 5A, 10A circuits
Noise	<0.01Ω
Torque	0.1N.m; +0.03N.m/6rings
Housing Material	Al alloy
Protection Grade	IP51

*Please note that the operational life of the unit is dependent upon rotational speed, environment and temperature

Options

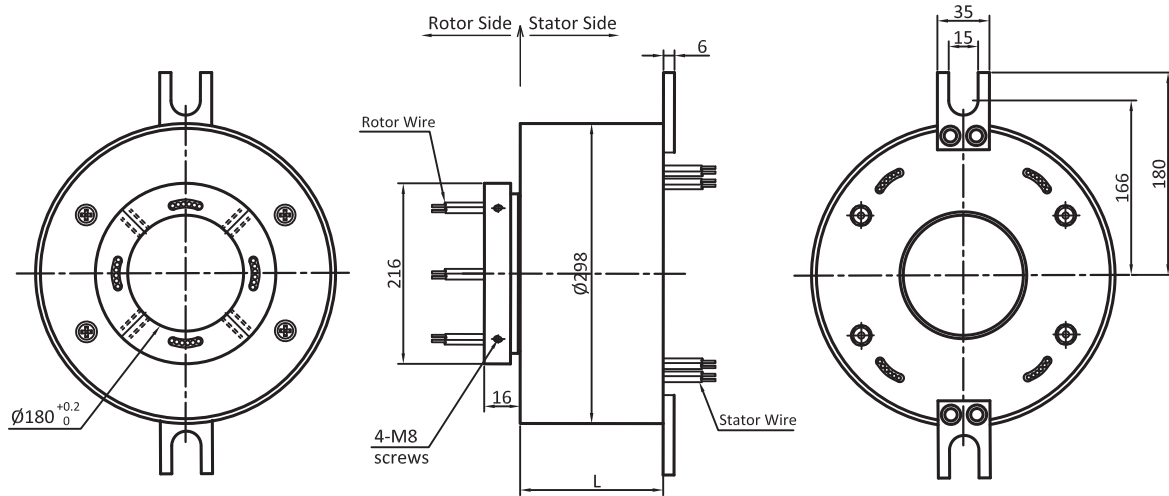
- Flange with 4 mounting holes
- Splash seals for dust and moisture resistance
- Various axial and radial lead exits are available
- Longer lead lengths are available
- Higher current and voltage capacity per circuit
- Support mixed high speed data transmission
- Hybrid Pneumatic/hydraulic and electric slip ring can be mixed.
- Aviation plug, terminal and heat-shrink tube are optional
- IP 65 rated slip ring available

INTRODUCE

STR180

1

STR180 Series Dimensions



Notes:

1. Drawings not actual size, dimensions are in millimeters
2. Rotor and stator leads exit 4 places, 90° apart
3. Flange mounting is options

Part# List

Model#	Power(10A)	Signal or 5A	Length(mm)	Model#	Power(10A)	Signal or 5A	Length(mm)
STR180-P2	2	0	75	STR180-S24	0	24	207
STR180-S2	0	2	75	STR180-P24	24	0	207
STR180-P3	3	0	81	STR180-P6S24	6	24	243
STR180-P2S2	2	2	87	STR180-P18S12	18	12	243
STR180-P4	4	0	87	STR180-P30	30	0	243
STR180-S6	0	6	99	STR180-S30	0	30	243
STR180-P6	6	0	99	STR180-S36	0	36	285
STR180-P12	12	0	135	STR180-P12S24	12	24	285
STR180-S12	0	12	135	STR180-P36	36	0	285
STR180-P2S10	2	10	135	STR180-S42	0	42	321
STR180-P4S8	4	8	135	STR180-P6S36	6	36	321
STR180-P6S6	6	6	135	STR180-S48	0	48	357
STR180-P6S12	6	12	171	STR180-P12S36	12	36	357
STR180-P18	18	0	171	STR180-S56	0	56	405
STR180-S18	0	18	171	STR180-P6S50	6	50	405
STR180-P10S8	10	8	171	STR180-P12S44	12	44	405
STR180-P06S18	6	18	207	STR180-P6S54	6	54	429
STR180-P12S12	12	12	207	STR180-S72	0	72	501

Notes: Not all of the part number are list in this table, if can not find suitable products, please contact us!

Lead wire color code(From the rotor)

Ring#	Color	Description/AWG	Ring#	Color	Description/AWG
1	RED	Signal / AWG22# 10A / AWG16#	7	RED	Signal / AWG22# 10A / AWG16#
2	BLK		8	BLK	
3	BLU		9	BLU	
4	BRN		10	BRN	
5	WHT		11	WHT	
6	GRY		12	GRY	

Notes:

6 wires for 1 group color, from 7~12 circuits would repeat the same color.