

Water-Proof Slip Ring

7

Cosmau's waterproof slip ring with advanced design that can operate under water. IP68 design with high performance, long service life; unique sealing technology would meet your applications greatly. Mainly applied to ships and oil wells.



Features:

- Continuous 360° rotation of signal or data
- Anti-corrosion stainless steel housing
- Unique sealing technology
- Can work under water
- Custom solution is available

WP SERIES MODEL#				
Model#	ID(mm)	OD(mm)	Power / Signal	IP Grade
WP028	-	28	2~24	IP68
WP038	-	38	2~56	IP68
WP065	-	65	2~56	IP65 or IP68
WP086	-	86	2~72	IP65 or IP68
WP099	-	99	2~72	IP65 or IP68

WP028 Series Overview

Description

WP028 series slip rings with IP68, designed specifically for underwater operation and waterproof work environment, unique sealing technology can be work under water long time.



Specifications

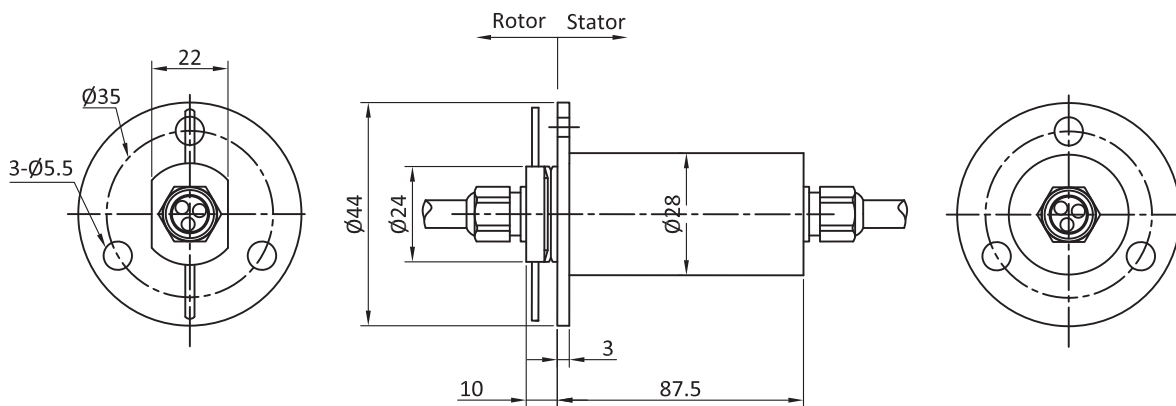
Item	
Operating Speed	Max. 100 RPM*
Number of Circuits	2~24 wires
Lead Wire	Water-proof cable
Voltage	240V AC/DC
Operating Temperature	-20°C to 60°C
Current Rating	Signal / 2A circuits
Noise	<0.01Ω
Torque	0.5N.m
Housing Material	Stainless Steel
Protection Grade	IP68

*Please note that the operational life of the unit is dependent upon rotational speed, environment and temperature

INTRODUCE

WP028

WP028 Series Dimensions



Notes:

1. Drawings not actual size, dimensions are in millimeters

Part# List

Model#	Power Circuits(5A)	Signal (2A)	Voltage(V)	OD(mm)	Length(mm)
WP028-06S	-	6	240	28	87.5
WP028-12S	-	12	240	28	87.5
WP028-18S	-	18	240	28	87.5
WP028-24S	-	24	240	28	87.5
WP028-0205-16S	2	16	240	28	87.5

Notes: Not all of the part number are list in this table, if can not find suitable products, please contact us!

WP038 Series Overview

Description

WP038 series slip rings with IP68, designed specifically for underwater operation and waterproof work environment, unique sealing technology can be work under water long time.



Specifications

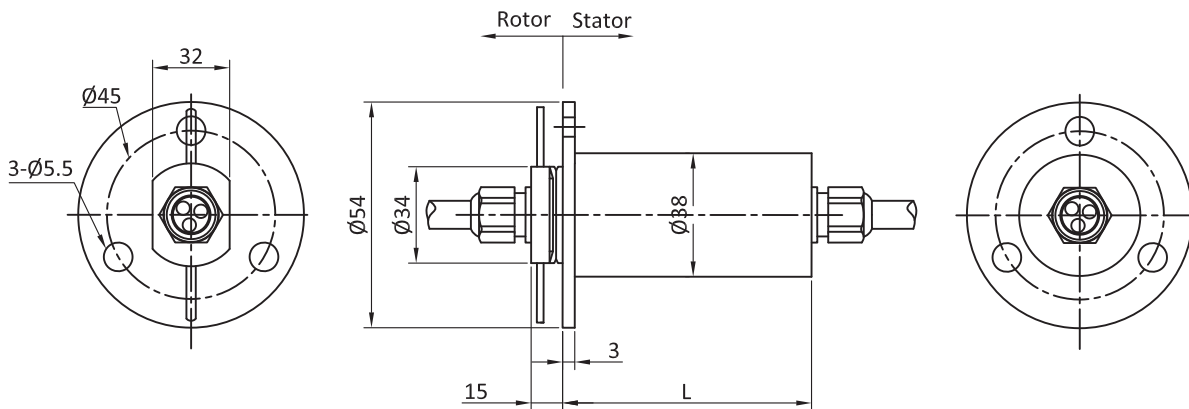
Item	
Operating Speed	Max. 100 RPM*
Number of Circuits	2~56 wires
Lead Wire	Water-proof cable
Voltage	240V AC/DC
Operating Temperature	-20°C to 60°C
Current Rating	Signal / 2A , power 10A
Noise	<0.01Ω
Torque	0.5N.m
Housing Material	Stainless Steel
Protection Grade	IP68

*Please note that the operational life of the unit is dependent upon rotational speed, environment and temperature

INTRODUCE

WP038

WP038 Series Dimensions



Notes:

1. Drawings not actual size, dimensions are in millimeters

Part# List

Model#	Power Circuits(10A)	Signal (2A)	Voltage(V)	OD(mm)	Length(mm)
WP038-0610	6	-	440	38	107.5
WP038-36S	-	36	240	38	107.5
WP038-56S	-	56	240	38	146.5
WP038-1210	12	-	440	38	146.5

Notes: Not all of the part number are list in this table, if can not find suitable products, please contact us!

WP065 Series Overview

Description

WP065 series slip rings with IP65 / IP68, designed specifically for underwater operation and waterproof work environment, unique sealing technology can be work under water long time. This series slip ring can combine with signal, power and high speed data transmission.



Specifications

Item	
Operating Speed	Max.200 RPM*
Number of Circuits	2~56 wires
Lead Wire	Water-proof cable
Voltage	240V AC/DC
Operating Temperature	-30°C to 80°C
Current Rating	Signal / 2A , power 10A
Noise	<0.01Ω
Torque	1N.m
Housing Material	Al Alloy / Stainless Steel
Protection Grade	IP65 / IP68

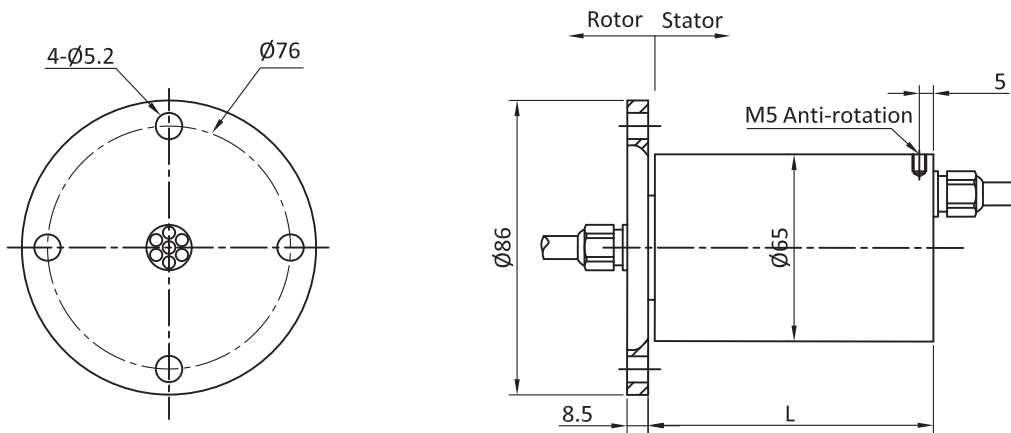
*Please note that the operational life of the unit is dependent upon rotational speed, environment and temperature

INTRODUCE

WP065

7

WP065 Series Dimensions



Notes:

1. Drawings not actual size, dimensions are in millimeters

Part# List

Notes: This series slip ring can with power, signal and high speed data, so just send your requires to us, then we will design a suitable solution for you, thank you for your support!

WP086 Series Overview

Description

WP086 series slip rings with IP65 / IP68, designed specifically for underwater operation and waterproof work environment, unique sealing technology can be work under water long time. This series slip ring can combine with signal, power and high speed data transmission.



Specifications

Item	
Operating Speed	Max.200 RPM*
Number of Circuits	2~60 wires
Lead Wire	Water-proof cable
Voltage	240V AC/DC
Operating Temperature	-30°C to 80°C
Current Rating	Signal / 2A , power 10A
Noise	<0.01Ω
Torque	1.5N.m
Housing Material	Al Alloy / Stainless Steel
Protection Grade	IP65 / IP68

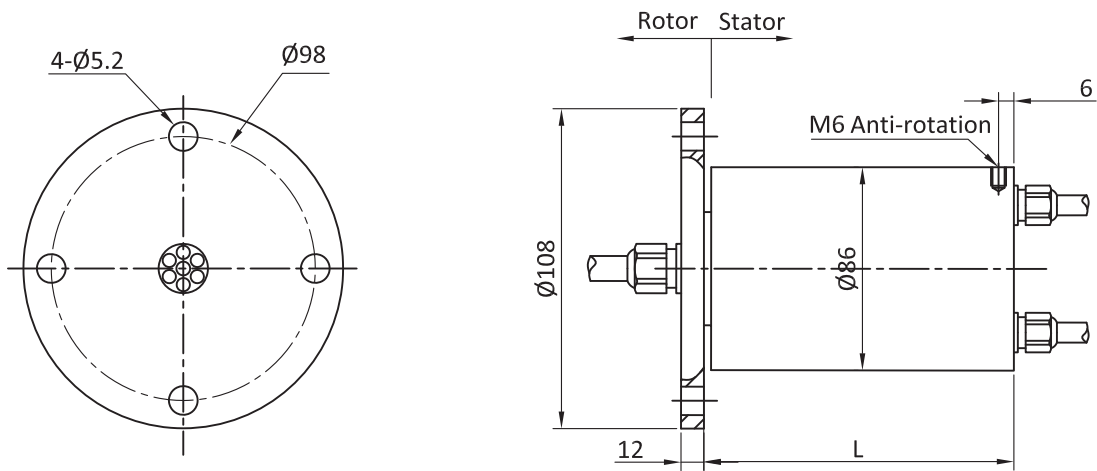
*Please note that the operational life of the unit is dependent upon rotational speed, environment and temperature

INTRODUCE

WP086

7

WP086 Series Dimensions



Notes:

1. Drawings not actual size, dimensions are in millimeters

Part# List

Notes: This series slip ring can combine with power, signal and high speed data, so just send your requires to us, then we will design a suitable solution for you, thank you for your support!

WP099 Series Overview

Description

WP099 series slip rings with IP65 / IP68, designed specifically for underwater operation and waterproof work environment, unique sealing technology can be work under water long time. This series slip ring can combine with signal, power and high speed data transmission.



Specifications

Item	
Operating Speed	Max.200 RPM*
Number of Circuits	2~75 wires
Lead Wire	Water-proof cable
Voltage	240V AC/DC
Operating Temperature	-30°C to 80°C
Current Rating	Signal / 2A , power 10A
Noise	<0.01Ω
Torque	1.8N.m
Housing Material	Al Alloy / Stainless Steel
Protection Grade	IP65 / IP68

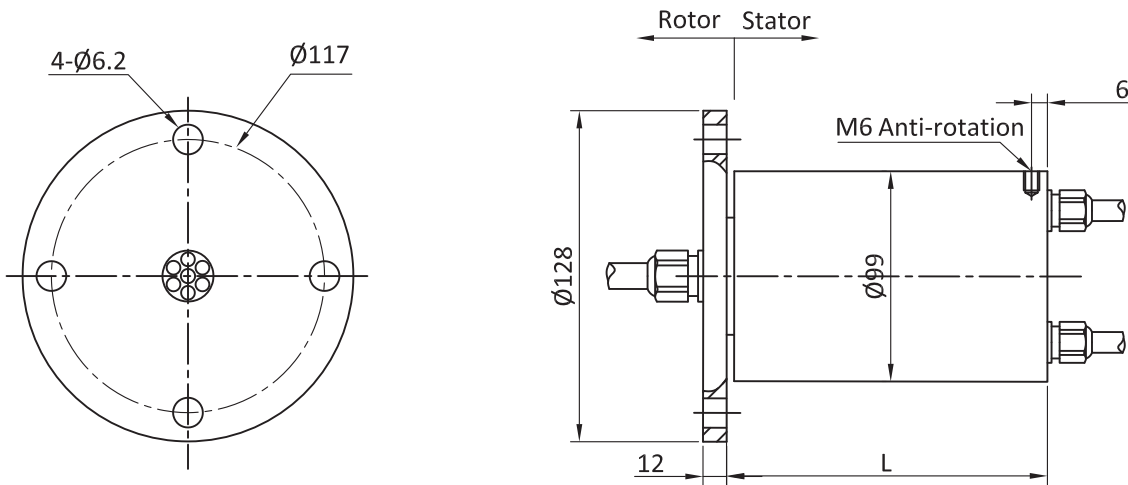
*Please note that the operational life of the unit is dependent upon rotational speed, environment and temperature

INTRODUCE

WP099

7

WP099 Series Dimensions



Notes:

1. Drawings not actual size, dimensions are in millimeters

Part# List

Notes: This series slip ring can combine with power, signal and high speed data, so just send your requires to us, then we will design a suitable solution for you, thank you for your support!