

## CMR2 Series Overview

### Description

Cosmau CMR2 series multiple passage rotary unions with 2 channel for media transfer, design for compressed air, gas in rotating system.

- Transmit compressed air, gas when 360°unrestricted rotation
- Combined with electrical slip ring,transfer power,control signal, data
- Through hole or flange structure optional
- Very low torque



### Specifications

Item	
Pneumatic Channel	2
Pressure	-100kPa ~ 1MPa
Connection Szie	M5, 1/8" 1/4", 3/8"
Connection Type	NPT, BSPP
Operating Temperature	-5° C to 80° C
Suitable Media	Air / Gas / Vacuum
Speed	200 RPM(reference value)
Material	AL alloy

All values listed under Technical Specifications are dependent on a combination of all application parameters. Please note operational life is dependent upon both rotational speed and duty cycle.

### Options

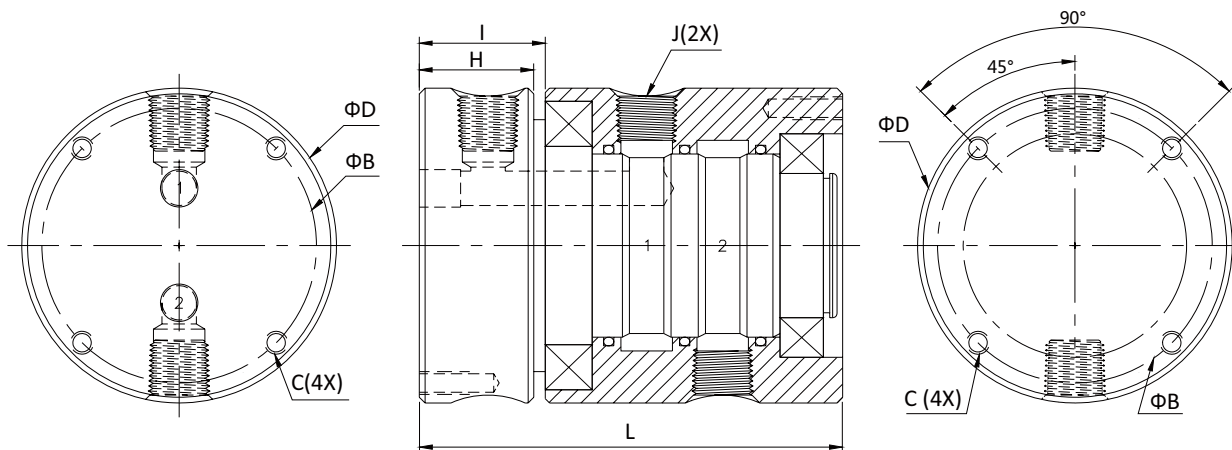
- Mounting Flange
- Connection Size
- Connection Type
- Material
- Pressure
- Media
- Optional Speed
- Combine with electrical slip ring

## INTRODUCE

## CMR2

3

## CMR2 Series Dimensions



Part#	J(BSPP/NPT)	ΦB	C	ΦD	H	I	L
CMR-200	M5	29	M3	35	13	14	50
CMR-201	1/8"	41	M4	49	18.5	19.5	65.5
CMR-202	1/4"	41	M4	49	21.5	22.5	70.5
CMR-203	3/8"	53	M5	62	27.5	28.5	85.5