

ETW251 Series Overview

Description

Slip ring is a precision device can be used in any electromechanical system that transfer signal and power from a stationary to a rotating structure, and the power and all kinds of signal can combination in one slip ring.

ETW25 with 25.4 mm through hole, 1~4 Ethernet channel, 1000M Ethernet + power/signal.

Gold-gold plating which ensures low BER(bit-error rate)and high signal-noise ratio.



Specifications

Item	
Operating Speed	Max.300 RPM*
Number of Circuits	1x Ethernet + 2~40 wires
Lead Wire	CAT7, AWG22#, AWG16# Teflon, 300mm
Voltage	440V AC/DC
Operating Temperature	-30 ℃ to 80 ℃
Current Rating	5A and 10A
Noise	<0.01Ω
Torque	0.1N.m; + 0.06N.m/6rings
Housing Material	Al Alloy
Protection Grade	IP51

* Please note that the operational life of the unit is dependent upon rotational speed, environment and temperature

Options

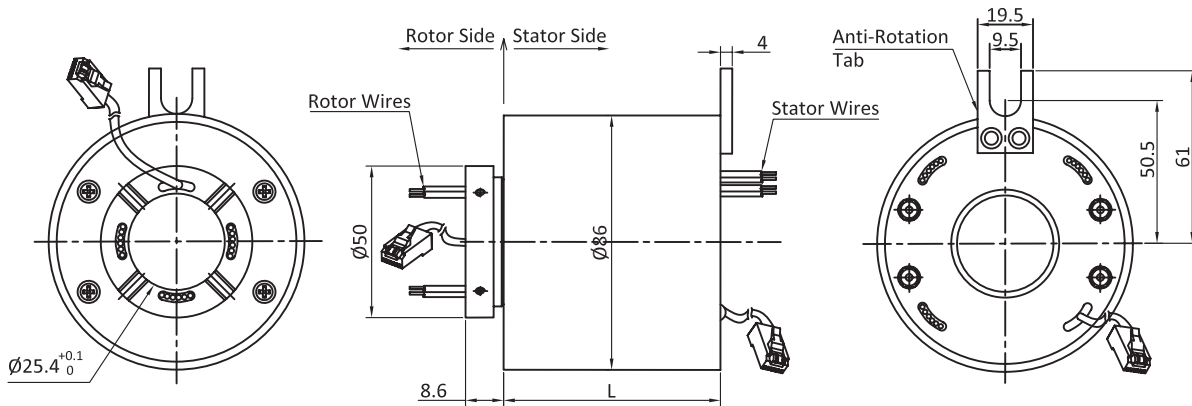
- Flange with 4 mounting holes
- Splash seals for dust and moisture resistance
- Various axial and radial lead exits are available
- Longer lead lengths are available
- Higher current and voltage capacity per circuit
- Support mixed high speed data transmission
- Hybrid Pneumatic/hydraulic and electric slip ring can be mixed.
- Aviation plug, terminal and heat-shrink tube are optional
- IP 65 rated slip ring available

INTRODUCE

ETW251

2

ETW251 Series Dimensions



Notes:

1. Drawings not actual size, dimensions are in millimeters
2. Rotor and stator leads exit 4 places, 90° apart
3. Flange mounting is options

Part# List

Model#	Power Circuits(10A)	Signal (2A/5A)	100/1000M Ethernet	OD(mm)	Length(mm)
ETW251-S04	-	6	1	86	68.7
ETW251-P04	4	-	1	86	68.7
ETW251-S10	-	10	1	86	89.7
ETW251-P04S06	4	6	1	86	89.7
ETW251-S16	-	16	1	86	110.7
ETW251-P04S12	4	12	1	86	110.7
ETW251-S22	-	22	1	86	131.7

Notes: Not all of the part number are list in this table, if can not find suitable products, please contact us!

Lead wire color code(From the rotor)

Ring#	Color	Description/AWG	Ring#	Color	Description/AWG
1	-	1000_T / CAT6 cable	9	RED	Signal / 5A, AWG22# Power/10A, AWG16#
2	-		10	BLK	
3	-		11	BLU	
4	-		12	BRN	
5	-		13	WHT	
6	-		14	GRY	
7	-				
8	-				

Notes:

6 wires for 1 group color, from 6~12 circuits would repeat the same color.