

MP-H Hydraulic Rotary Union

1

Cosmau MP-H series multiple passage rotary unions with 2~16 channel for media transfer, design for oil, water, coolant in rotating system.



Features:

- Transmit compressed oil, water, coolant when 360°unrestricted rotation
- Combined with electrical slip ring,transfer power,control signal, data
- Through hole or flange structure optional
- Available all kinds of custom solutions

MP-H SERIES MODEL#

Model#	Pneumatic Channel	Pressure	Connection Size	Speed
MP2-H	2	Max. 350bar	G1/8" ~ G1"	Max. 300 RPM
MP3-H	3	Max. 350bar	G1/8" ~ G1"	Max. 300 RPM
MP4-H	4	Max. 350bar	G1/8" ~ G1"	Max. 300 RPM
MP6-H	6	Max. 350bar	G1/8" ~ G1"	Max. 300 RPM
MP8-H	8	Max. 350bar	G1/8" ~ G1"	Max.200 RPM
MP10-H	10	Max. 350bar	G1/8" ~ G1"	Max.200 RPM
MP12-H	12	Max. 350bar	G1/8" ~ G1"	Max. 200RPM

MP2-H Series Overview

Description

Cosmau MP2-H series multiple passage rotary unions with 2 channel for media transfer, design for oil, water and coolant in rotating system.

- Transmit hydraulic oil, water and coolant when 360°unrestricted rotation
- Combined with electrical slip ring,transfer power,control signal, data
- Through hole or flange structure optional
- Available all kinds of custom solutions



Specifications

Item	
Pneumatic Channel	2
Pressure	Max. 350bar
Connection Szie	1/8" 1/4", 3/8", 1/2", 3/4", 1"
Connection Type	BSP
Operating Temperature	-18° C to 150° C
Suitable Media	Oil / Water / Coolant
Speed	Max. 300 RPM
Material	AL alloy housing, Carbon Steel / Stainless Steel Shaft

Note: All values listed under Technical Specifications are dependent on a combination of all application parameters. Please note service life is dependent upon both rotational speed and duty cycle.

Options

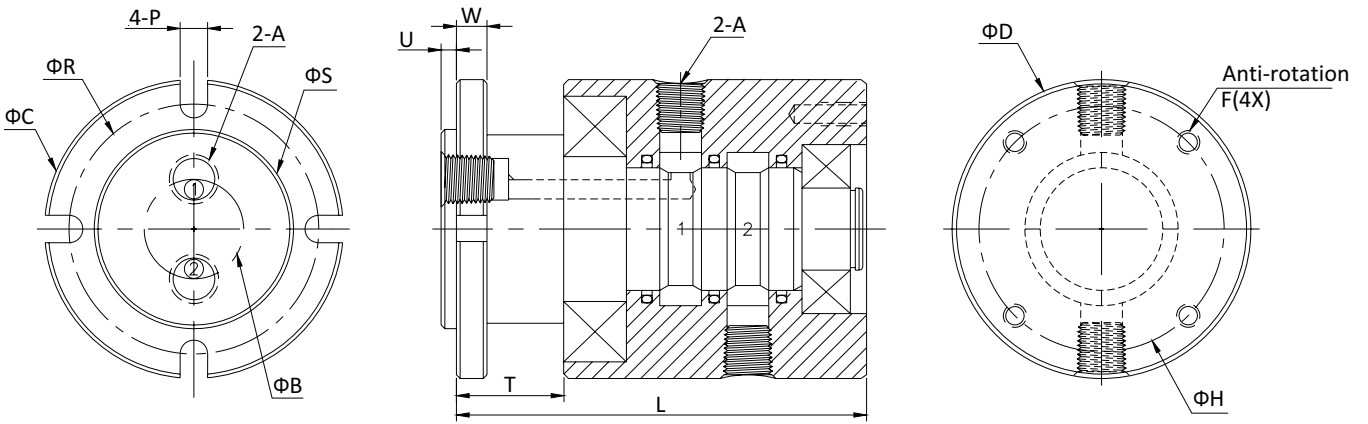
- Mounting Flange / Through Hole
- Connection Size
- Connection Type
- Material
- Pressure
- Media
- Optional Speed
- Combine with electrical slip ring

INTRODUCE

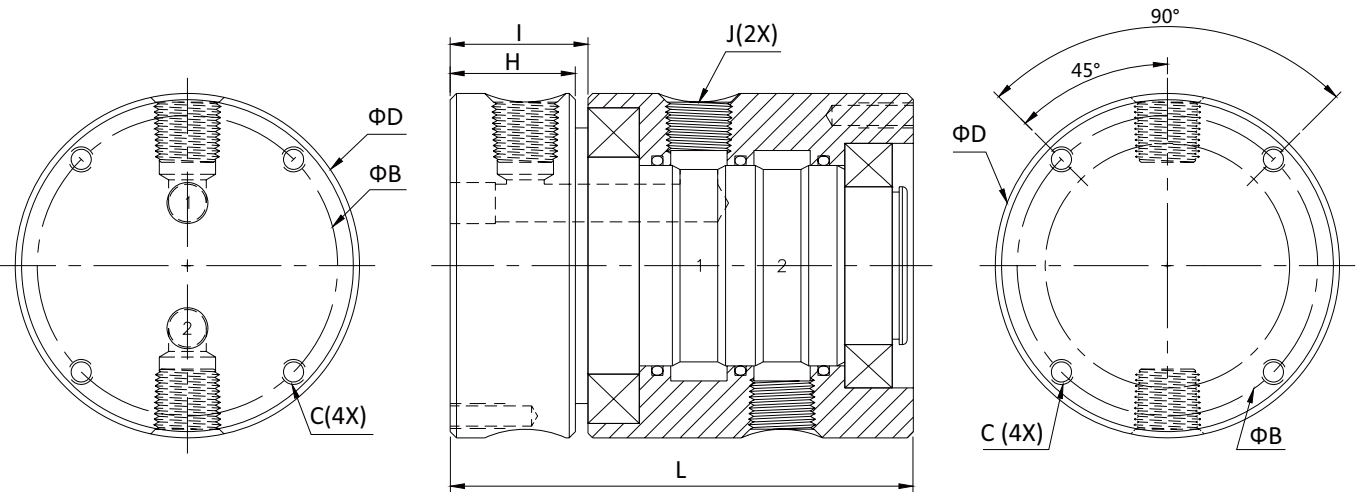
MP2-H

3

MP2-H Series Dimensions



Part#	A(BSPP/NPT)	ΦB	ΦC	ΦD	ΦR	ΦS	U	W	T	P	F	ΦH	L
MP-201-H	1/8"	20.5	64.5	64.5	54	42	3	6	24	6.5	M6	54	114.2
MP-202-H	1/4"	22	69.5	69.5	59	47	3	6	24	6.5	M6	59	117.2
MP-203-H	3/8"	25.5	74.5	74.5	64	52	3	6	24	6.5	M6	64	126.2
MP-204-H	1/2"	31.5	89.5	89.5	76.5	63	3	8	32	9	M8	76.5	149.4
MP-205-H	3/4"	38	104.5	104.5	91.5	76	3	9	32	9	M8	91.5	163.5
MP-206-H	1"	48	129.5	129.5	114	96	4	10	37	11	M10	114	185.2



Part#	J(BSPP/NPT)	ΦB	C	ΦD	H	I	L
AP-201-H	1/8"	54	M6	64.5	19.5	20	110.2
AP-202-H	1/4"	59	M6	69.5	22.5	23	116.2
AP-203-H	3/8"	64	M6	74.5	28.5	29	132.2
AP-204-H	1/2"	77	M8	89.5	33.5	34	148.7
AP-205-H	3/4"	87	M8	99.5	42.5	43	174.5
AP-206-H	1"	100	M10	114.5	56.5	57	205.8

MP3-H Series Overview

Description

Cosmau MP3-H series multiple passage rotary unions with 3 channel for media transfer, design for oil, water and coolant in rotating system.

- Transmit hydraulic oil, water and coolant when 360°unrestricted rotation
- Combined with electrical slip ring,transfer power,control signal, data
- Through hole or flange structure optional
- Available all kinds of custom solutions



Specifications

Item	
Pneumatic Channel	3
Pressure	Max. 350bar
Connection Szie	1/8" 1/4", 3/8", 1/2", 3/4", 1"
Connection Type	BSPB
Operating Temperature	-18° C to 150° C
Suitable Media	Oil / Water / Coolant
Speed	Max. 300 RPM
Material	AL alloy housing, Carbon Steel / Stainless Steel Shaft

Note: All values listed under Technical Specifications are dependent on a combination of all application parameters. Please note service life is dependent upon both rotational speed and duty cycle.

Options

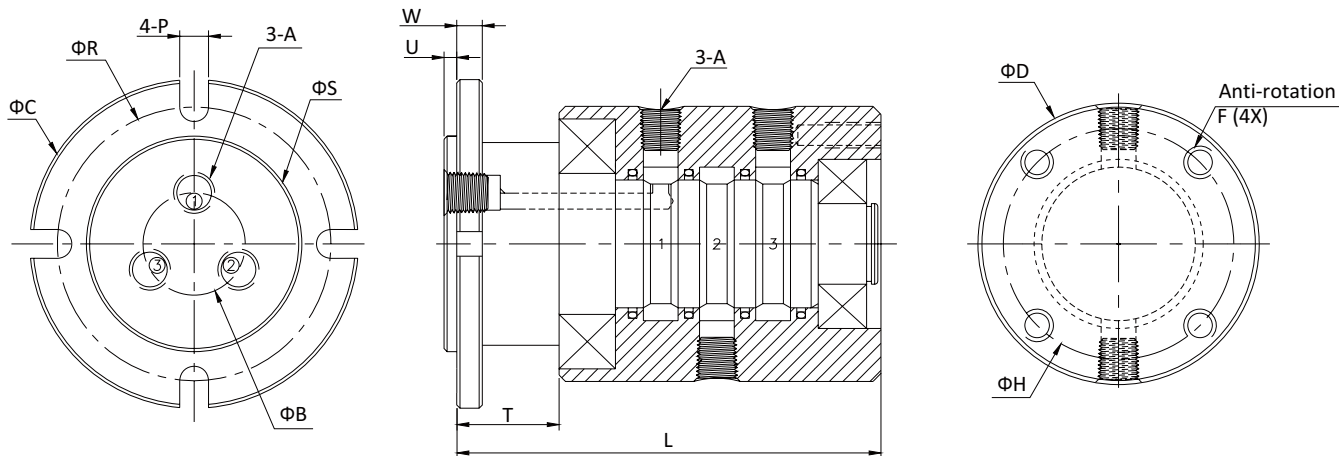
- Mounting Flange / Through Hole
- Connection Size
- Connection Type
- Material
- Pressure
- Media
- Optional Speed
- Combine with electrical slip ring

INTRODUCE

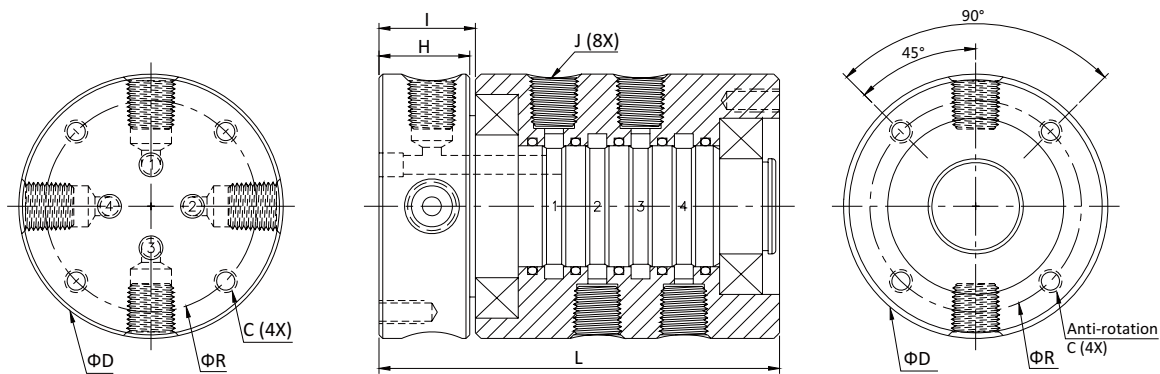
MP3-H

5

MP3-H Series Dimensions



Part#	A(BSPP/NPT)	ΦB	ΦC	ΦD	ΦR	ΦS	U	W	T	P	F	ΦH	L
MP-301-H	1/8"	25	69.5	69.5	59	46	3	6	24	6.5	M6	59	131.4
MP-302-H	1/4"	26	74.5	74.5	64	51	3	6	24	6.5	M6	64	135.4
MP-303-H	3/8"	29.5	79.5	79.5	69	57	3	6	24	6.5	M6	69	149.9
MP-304-H	1/2"	36	94.5	94.5	81.5	67.5	3	8	32	9	M8	81.5	181.4
MP-305-H	3/4"	43	109.5	109.5	96.5	80.5	3	9	32	9	M8	96.5	195.5
MP-306-H	1"	55	134.5	134.5	119	103	4	10	37	11	M10	119	224.5



Part#	J(BSPP/NPT)	ΦR	C	ΦD	H	I	L
AP-301-H	1/8"	54	M6	64.5	19.5	20	127.4
AP-302-H	1/4"	59	M6	69.5	22.5	23	134.4
AP-303-H	3/8"	64	M6	74.5	28.5	29	154.9
AP-304-H	1/2"	77	M8	89.5	33.5	34	175.4
AP-305-H	3/4"	92	M8	104.5	42.5	43	206.4
AP-306-H	1"	105	M10	119.5	56.5	57	244.5

MP4-H Series Overview

Description

Cosmau MP4-H series multiple passage rotary unions with 4 channel for media transfer, design for oil, water and coolant in rotating system.

- Transmit hydraulic oil, water and coolant when 360°unrestricted rotation
- Combined with electrical slip ring,transfer power,control signal, data
- Through hole or flange structure optional
- Available all kinds of custom solutions



Specifications

Item	
Pneumatic Channel	4
Pressure	Max. 350bar
Connection Szie	1/8" 1/4", 3/8", 1/2", 3/4", 1"
Connection Type	BSPP
Operating Temperature	-18° C to 150° C
Suitable Media	Oil / Water / Coolant
Speed	Max. 300 RPM
Material	AL alloy housing, Carbon Steel / Stainless Steel Shaft

Note: All values listed under Technical Specifications are dependent on a combination of all application parameters. Please note service life is dependent upon both rotational speed and duty cycle.

Options

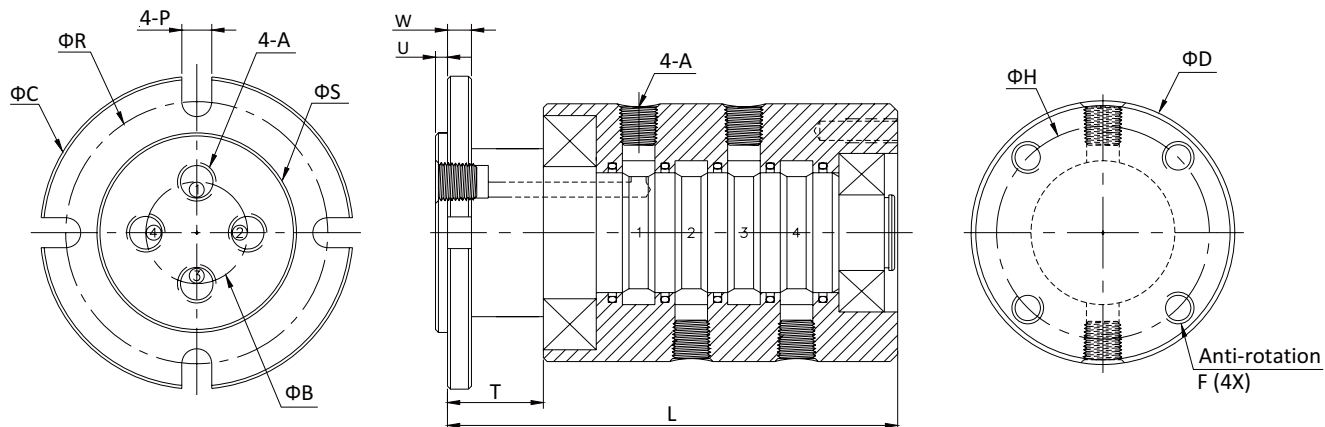
- Mounting Flange / Through Hole
- Connection Size
- Connection Type
- Material
- Pressure
- Media
- Optional Speed
- Combine with electrical slip ring

INTRODUCE

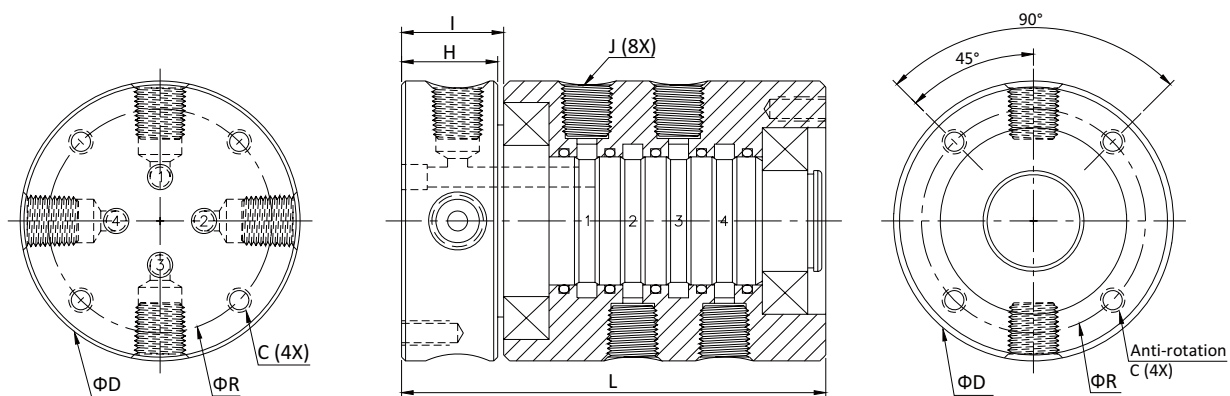
MP4-H

7

MP4-H Series Dimensions



Part#	A(BSPP/NPT)	ΦB	ΦC	ΦD	ΦR	ΦS	U	W	T	P	F	ΦH	L
MP-401-H	1/8"	30	74.5	74.5	64	51	3	6	24	6.5	M6	64	149.8
MP-402-H	1/4"	31.5	79.5	79.5	69	56	3	6	24	6.5	M6	69	155.6
MP-403-H	3/8"	36	89.5	89.5	79	64	3	6	24	6.5	M6	79	180.6
MP-404-H	1/2"	42.5	99.5	99.5	86.5	73.5	3	8	32	9	M8	86.5	209.6
MP-405-H	3/4"	53	119.5	119.5	106.5	90.5	3	9	32	9	M8	106.5	230.6
MP-406-H	1"	67	144.5	144.5	130	114.5	4	10	37	11	M10	130	266.8



Part#	J(BSPP/NPT)	ΦR	C	ΦD	H	I	L
AP-401-H	1/8"	54	M6	64.5	19.5	20	144.8
AP-402-H	1/4"	59	M6	69.5	22.5	23	152.9
AP-403-H	3/8"	64	M6	74.5	28.5	29	175.9
AP-404-H	1/2"	82	M8	94.5	33.5	34	208.6
AP-405-H	3/4"	92	M8	104.5	42.5	43	238.6
AP-406-H	1"	110	M10	124.5	56.5	57	283.5

MP6-H Series Overview

Description

Cosmau MP6-H series multiple passage rotary unions with 6 channel for media transfer, design for oil, water and coolant in rotating system.

- Transmit hydraulic oil, water and coolant when 360°unrestricted rotation
- Combined with electrical slip ring,transfer power,control signal, data
- Through hole or flange structure optional
- Available all kinds of custom solutions



Specifications

Item	
Pneumatic Channel	6
Pressure	Max. 350bar
Connection Szie	1/8" 1/4", 3/8", 1/2", 3/4", 1"
Connection Type	BSPB
Operating Temperature	-18° C to 150° C
Suitable Media	Oil / Water / Coolant
Speed	Max. 300 RPM
Material	AL alloy housing, Carbon Steel / Stainless Steel Shaft

Note: All values listed under Technical Specifications are dependent on a combination of all application parameters. Please note service life is dependent upon both rotational speed and duty cycle.

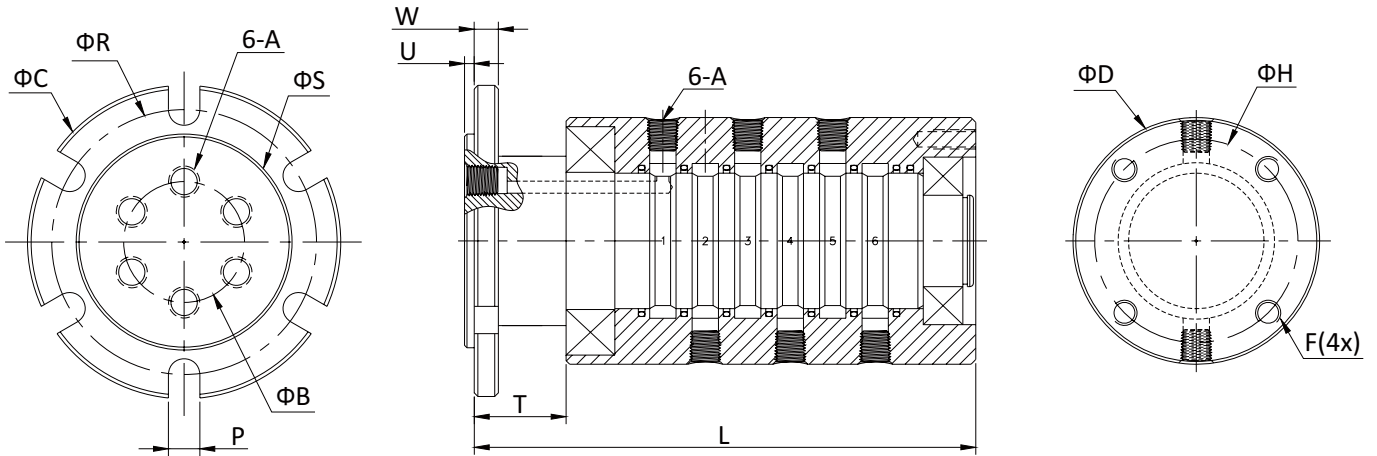
Options

- Mounting Flange / Through Hole
- Connection Size
- Connection Type
- Material
- Pressure
- Media
- Optional Speed
- Combine with electrical slip ring

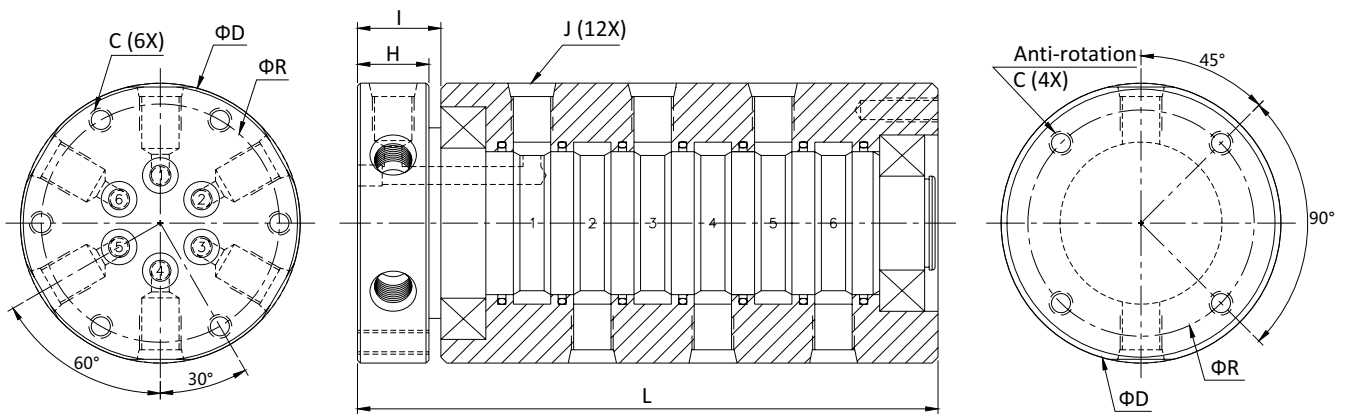
INTRODUCE

MP6-H

MP6-H Series Dimensions



Part#	A(BSPP/NPT)	ΦB	ΦC	ΦD	ΦR	ΦS	U	W	T	P	F	ΦH	L
MP-601-H	1/8"	41.5	84.5	69.5	74	62.5	3	6	24	6.5	M6	59	178.2
MP-602-H	1/4"	45	89.5	73.5	79	68	3	6	24	6.5	M6	63	192
MP-603-H	3/8"	51	99.5	84	89	77.5	3	6	24	6.5	M6	73.5	212.4
MP-604-H	1/2"	67.5	129.5	98.5	116.5	100	3	8	32	9	M8	85.5	263.4
MP-605-H	3/4"	83.5	149.5	118.5	136.5	121	4	9	32	9	M8	105.5	299.5



Part#	J(BSPP/NPT)	ΦR	C	ΦD	H	I	L
AP-601-H	1/8"	59	M6	69.5	19.5	20	179.2
AP-602-H	1/4"	59	M6	69.5	22.5	23	189.4
AP-603-H	3/8"	64	M6	74.5	28.5	29	223
AP-604-H	1/2"	87	M8	99.5	33.5	34	266
AP-605-H	3/4"	102	M8	114.5	42.5	43	305
AP-606-H	1"	125	M10	139.5	56.5	57	365

MP8-H Series Overview

Description

Cosmau MP8-H series multiple passage rotary unions with 8 channel for media transfer, design for oil, water and coolant in rotating system.

- Transmit hydraulic oil, water and coolant when 360°unrestricted rotation
- Combined with electrical slip ring,transfer power,control signal, data
- Through hole or flange structure optional
- Available all kinds of custom solutions



Specifications

Item	
Pneumatic Channel	8
Pressure	Max. 350bar
Connection Szie	1/8" 1/4", 3/8", 1/2", 3/4", 1"
Connection Type	BSPB
Operating Temperature	-18° C to 150° C
Suitable Media	Oil / Water / Coolant
Speed	Max. 200 RPM
Material	AL alloy housing, Carbon Steel / Stainless Steel Shaft

Note: All values listed under Technical Specifications are dependent on a combination of all application parameters. Please note service life is dependent upon both rotational speed and duty cycle.

Options

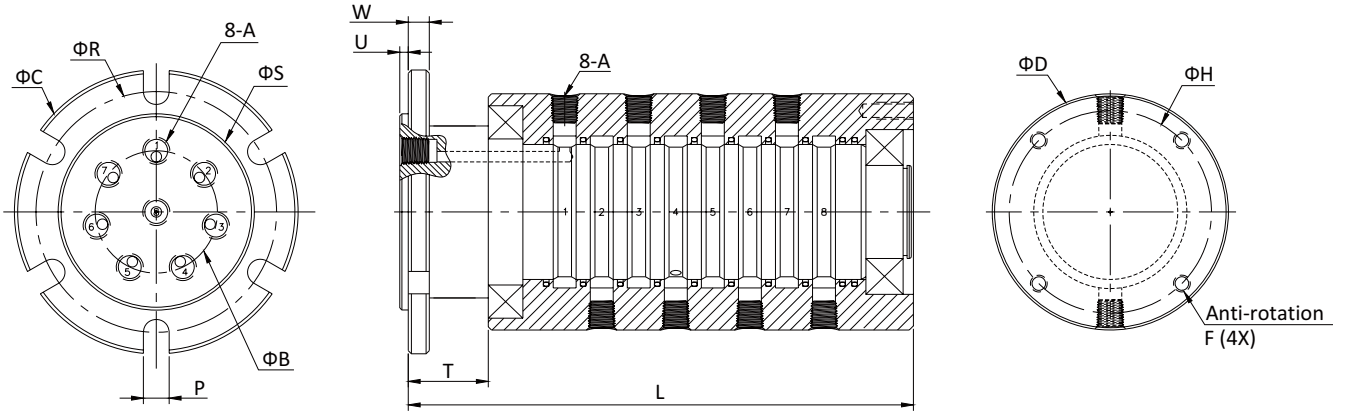
- Mounting Flange / Through Hole
- Connection Size
- Connection Type
- Material
- Pressure
- Media
- Optional Speed
- Combine with electrical slip ring

INTRODUCE

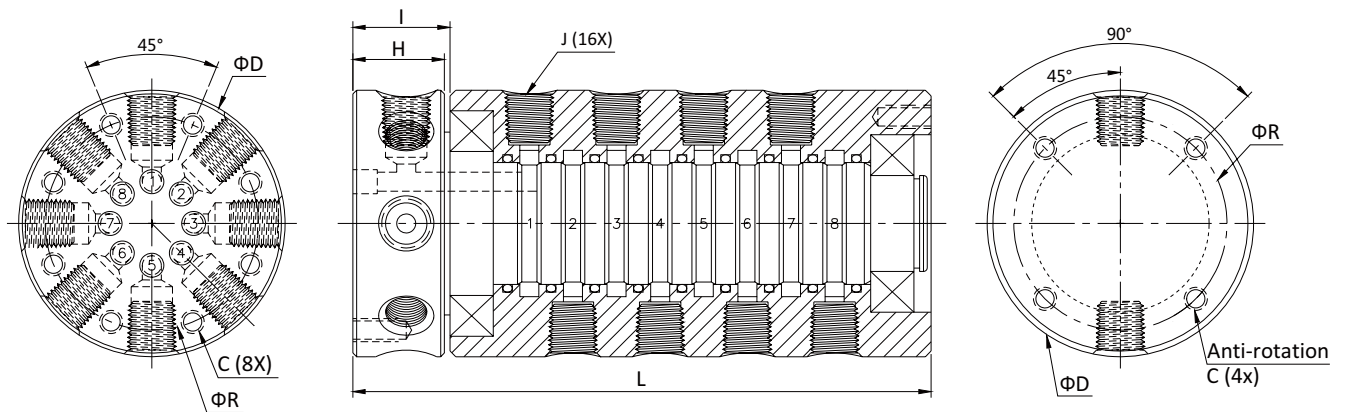
MP8-H

11

MP8-H Series Dimensions



Part#	A(BSPP/NPT)	ΦB	ΦC	ΦD	ΦR	ΦS	U	W	T	P	F	ΦH	L
MP-801-H	1/8"	53	94.5	74.5	84	72.5	3	6	24	6.5	M6	64	211.4
MP-802-H	1/4"	58	104	79	93.5	81	3	6	24	6.5	M6	68.5	229.4
MP-803-H	3/8"	67	114.5	98.5	104	93	3	6	24	6.5	M6	88	267.6
MP-804-H	1/2"	81	139.5	109	126.5	112.5	3	8	32	9	M8	96	320.6
MP-805-H	3/4"	100	164.5	133.5	151.5	121	4	9	32	9	M8	120.5	361.6



Part#	J(BSPP/NPT)	ΦR	C	ΦD	H	I	L
AP-801-H	1/8"	64	M6	74.5	19.5	20	214.8
AP-802-H	1/4"	64	M6	74.5	22.5	23	228.4
AP-803-H	3/8"	79	M6	89.5	28.5	29	278.4
AP-804-H	1/2"	97	M8	109.5	33.5	34	320.5
AP-805-H	3/4"	117	M8	129.5	42.5	43	368.4
AP-806-H	1"	135	M10	149.5	56.5	57	443.5

AP10-H Series Overview

Description

Cosmau AP10-H series multiple passage rotary unions with 10 channel for media transfer, design for oil, water and coolant in rotating system.

- Transmit hydraulic oil, water and coolant when 360°unrestricted rotation
- Combined with electrical slip ring,transfer power,control signal, data
- Through hole or flange structure optional
- Available all kinds of custom solutions



Specifications

Item	
Pneumatic Channel	10
Pressure	Max. 350bar
Connection Szie	1/8" 1/4", 3/8", 1/2", 3/4", 1"
Connection Type	BSPB
Operating Temperature	-18° C to 150° C
Suitable Media	Oil / Water / Coolant
Speed	Max. 200 RPM
Material	AL alloy housing, Carbon Steel / Stainless Steel Shaft

Note: All values listed under Technical Specifications are dependent on a combination of all application parameters. Please note service life is dependent upon both rotational speed and duty cycle.

Options

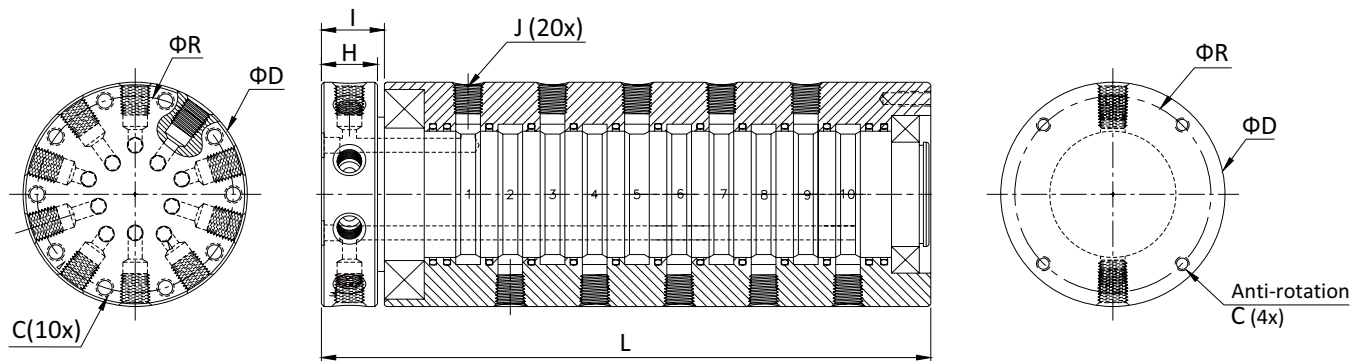
- Mounting Flange / Through Hole
- Connection Size
- Connection Type
- Material
- Pressure
- Media
- Optional Speed
- Combine with electrical slip ring

INTRODUCE

AP10-H

13

AP10-H Series Dimensions



Part#	J(BSPP/NPT)	ΦR	C	ΦD	H	I	L
AP-1001-H	1/8"	69	M6	79.5	22.5	23	243.8
AP-1002-H	1/4"	74	M6	84	26.5	27	270.3
AP-1003-H	3/8"	84	M6	94.5	30.5	31	330.2
AP-1004-H	1/2"	102	M8	114.5	34.5	35	375.5
AP-1005-H	3/4"	127	M8	139.5	42.5	43	428.8
AP-1006-H	1"	149.5	M10	164.5	56.5	57	526.8

AP12-H Series Overview

Description

Cosmau AP12-H series multiple passage rotary unions with 12 channel for media transfer, design for oil, water and coolant in rotating system.

- Transmit hydraulic oil, water and coolant when 360°unrestricted rotation
- Combined with electrical slip ring,transfer power,control signal, data
- Through hole or flange structure optional
- Available all kinds of custom solutions



Specifications

Item	
Pneumatic Channel	12
Pressure	Max. 350bar
Connection Szie	1/8" 1/4", 3/8", 1/2", 3/4", 1"
Connection Type	BSPB
Operating Temperature	-18° C to 150° C
Suitable Media	Oil / Water / Coolant
Speed	Max. 200 RPM
Material	AL alloy housing, Carbon Steel / Stainless Steel Shaft

Note: All values listed under Technical Specifications are dependent on a combination of all application parameters. Please note service life is dependent upon both rotational speed and duty cycle.

Options

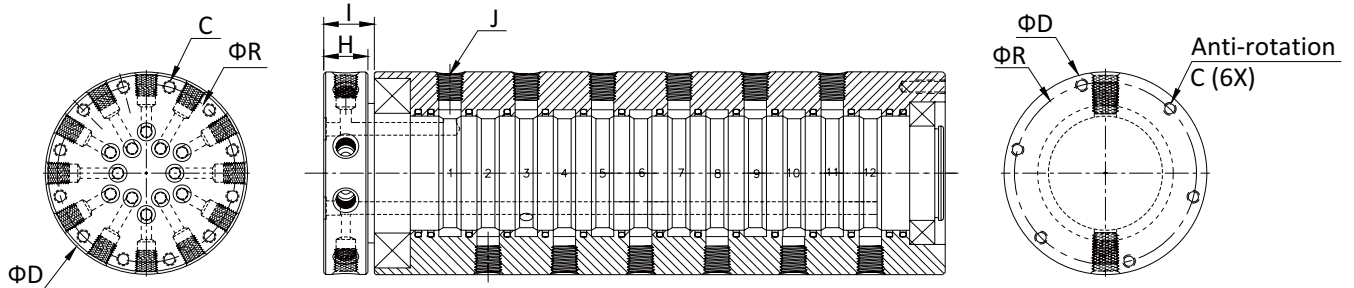
- Mounting Flange / Through Hole
- Connection Size
- Connection Type
- Material
- Pressure
- Media
- Optional Speed
- Combine with electrical slip ring

INTRODUCE

AP12-H

15

AP12-H Series Dimensions



Part#	J(BSPP/NPT)	ΦR	C	ΦD	H	I	L
AP-1201-H	1/8"	69	M6	79.5	24.5	25	278.2
AP-1202-H	1/4"	79	M6	89.5	29.5	30	328.2
AP-1203-H	3/8"	93	M6	104.5	32.5	33	378.9
AP-1204-H	1/2"	116	M8	129	35.5	36	429.2
AP-1205-H	3/4"	136	M8	149	42.5	43	494.2
AP-1206-H	1"	169	M10	184.5	56.5	57	612.5