

## MP4-H Series Overview

### Description

Cosmau MP4-H series multiple passage rotary unions with 4 channel for media transfer, design for oil, water and coolant in rotating system.

- Transmit hydraulic oil, water and coolant when 360°unrestricted rotation
- Combined with electrical slip ring,transfer power,control signal, data
- Through hole or flange structure optional
- Available all kinds of custom solutions



### Specifications

Item	
Pneumatic Channel	4
Pressure	Max. 350bar
Connection Szie	1/8" 1/4", 3/8", 1/2", 3/4", 1"
Connection Type	BSP
Operating Temperature	-18° C to 150° C
Suitable Media	Oil / Water / Coolant
Speed	Max. 300 RPM
Material	AL alloy housing, Carbon Steel / Stainless Steel Shaft

**Note:** All values listed under Technical Specifications are dependent on a combination of all application parameters. Please note service life is dependent upon both rotational speed and duty cycle.

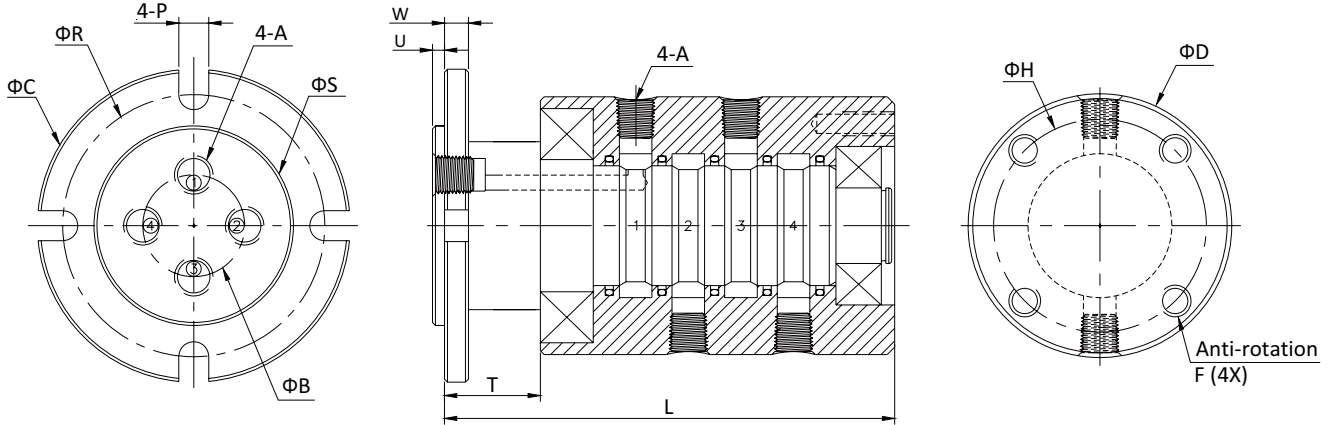
### Options

- Mounting Flange / Through Hole
- Connection Size
- Connection Type
- Material
- Pressure
- Media
- Optional Speed
- Combine with electrical slip ring

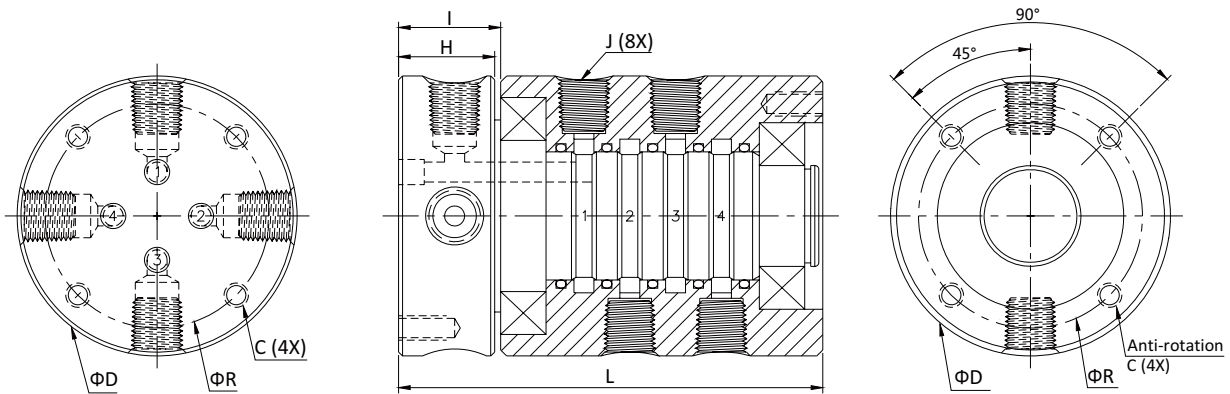
# INTRODUCE

## MP4-H

### MP4-H Series Dimensions



Part#	A(BSPP/NPT)	ΦB	ΦC	ΦD	ΦR	ΦS	U	W	T	P	F	ΦH	L
MP-401-H	1/8"	30	74.5	74.5	64	51	3	6	24	6.5	M6	64	149.8
MP-402-H	1/4"	31.5	79.5	79.5	69	56	3	6	24	6.5	M6	69	155.6
MP-403-H	3/8"	36	89.5	89.5	79	64	3	6	24	6.5	M6	79	180.6
MP-404-H	1/2"	42.5	99.5	99.5	86.5	73.5	3	8	32	9	M8	86.5	209.6
MP-405-H	3/4"	53	119.5	119.5	106.5	90.5	3	9	32	9	M8	106.5	230.6
MP-406-H	1"	67	144.5	144.5	130	114.5	4	10	37	11	M10	130	266.8



Part#	J(BSPP/NPT)	ΦR	C	ΦD	H	I	L
AP-401-H	1/8"	54	M6	64.5	19.5	20	144.8
AP-402-H	1/4"	59	M6	69.5	22.5	23	152.9
AP-403-H	3/8"	64	M6	74.5	28.5	29	175.9
AP-404-H	1/2"	82	M8	94.5	33.5	34	208.6
AP-405-H	3/4"	92	M8	104.5	42.5	43	238.6
AP-406-H	1"	110	M10	124.5	56.5	57	283.5